



Name: _____

Compute.

① $5^2 - 6^2$

② $-4 + 3 - 15$

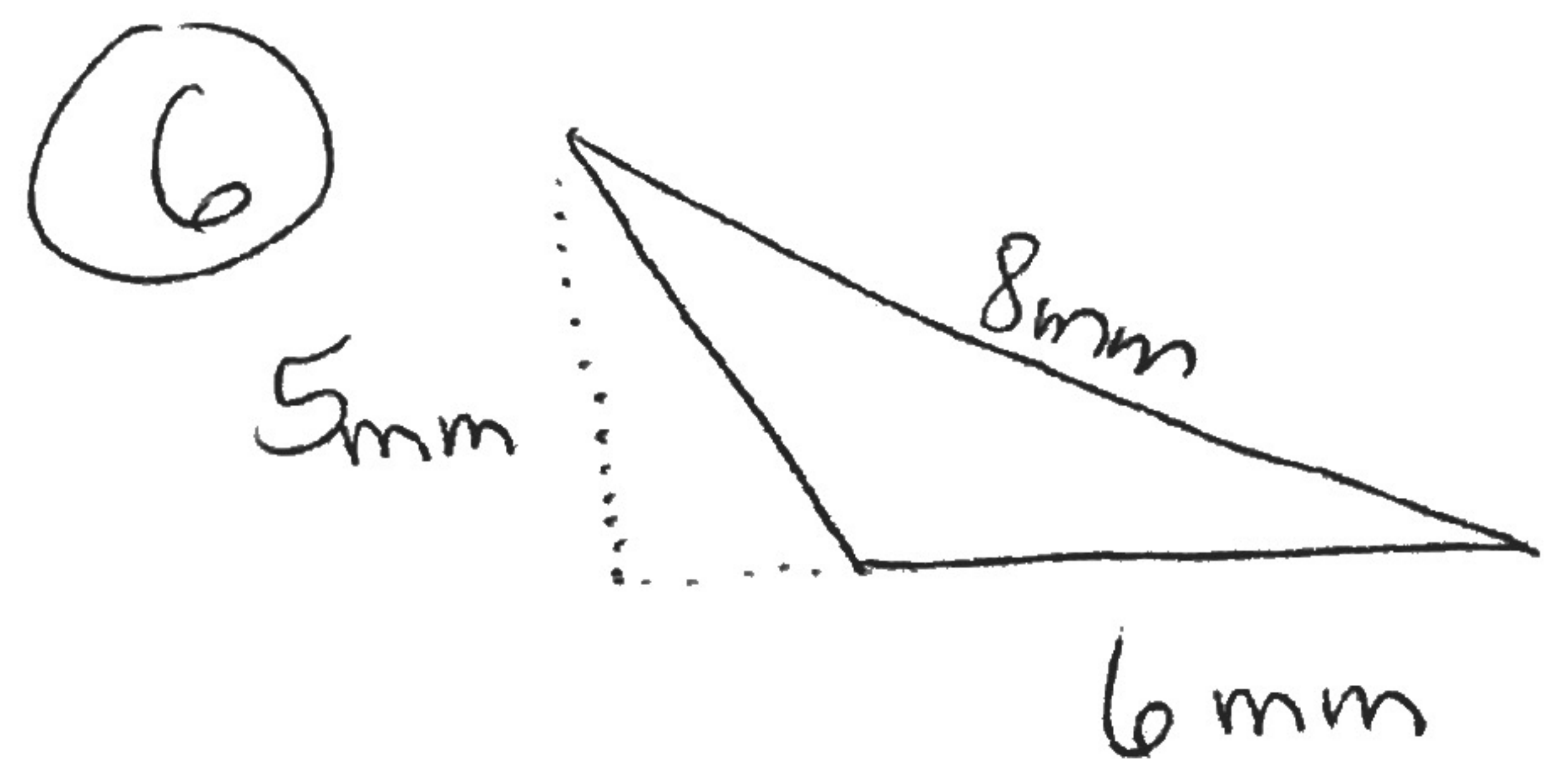
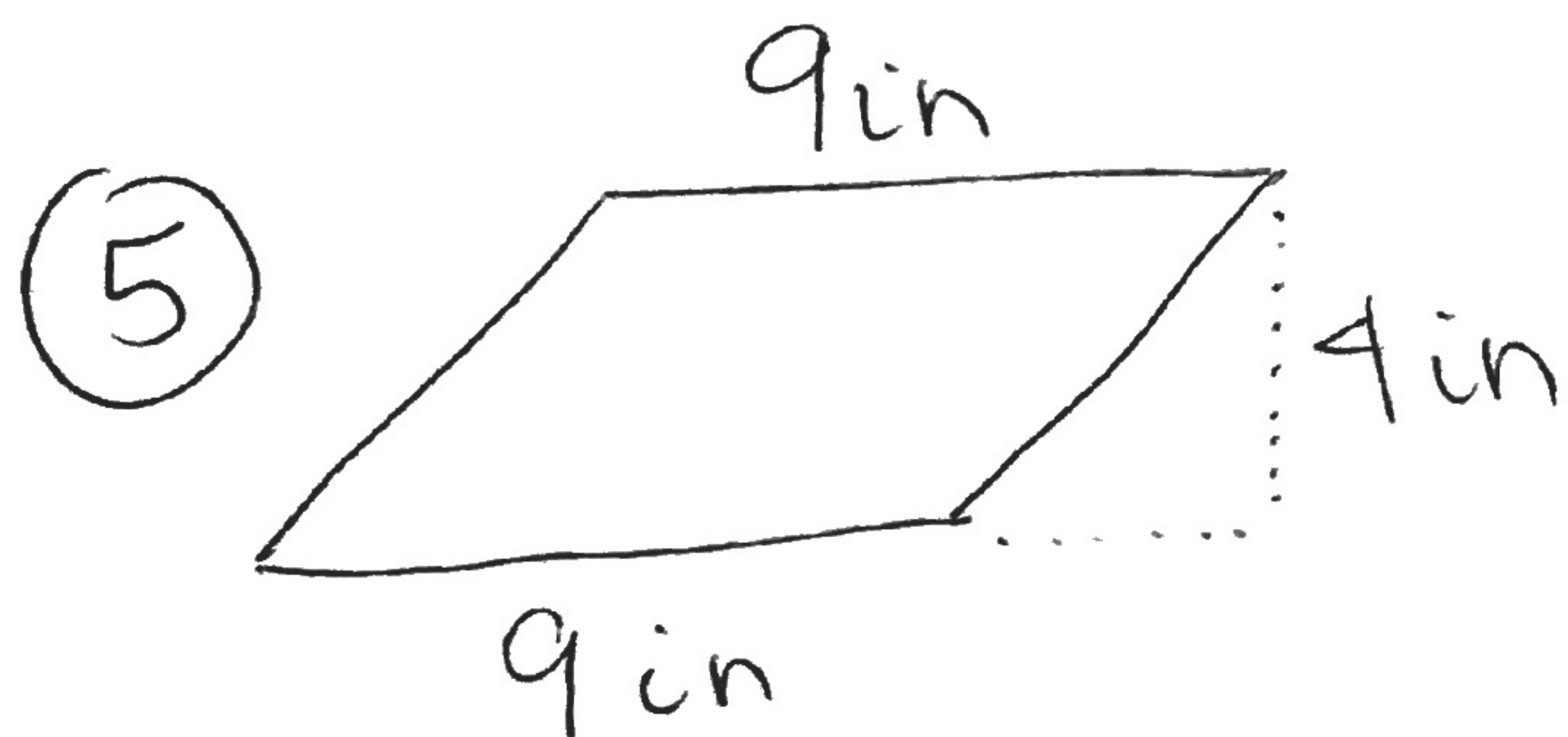
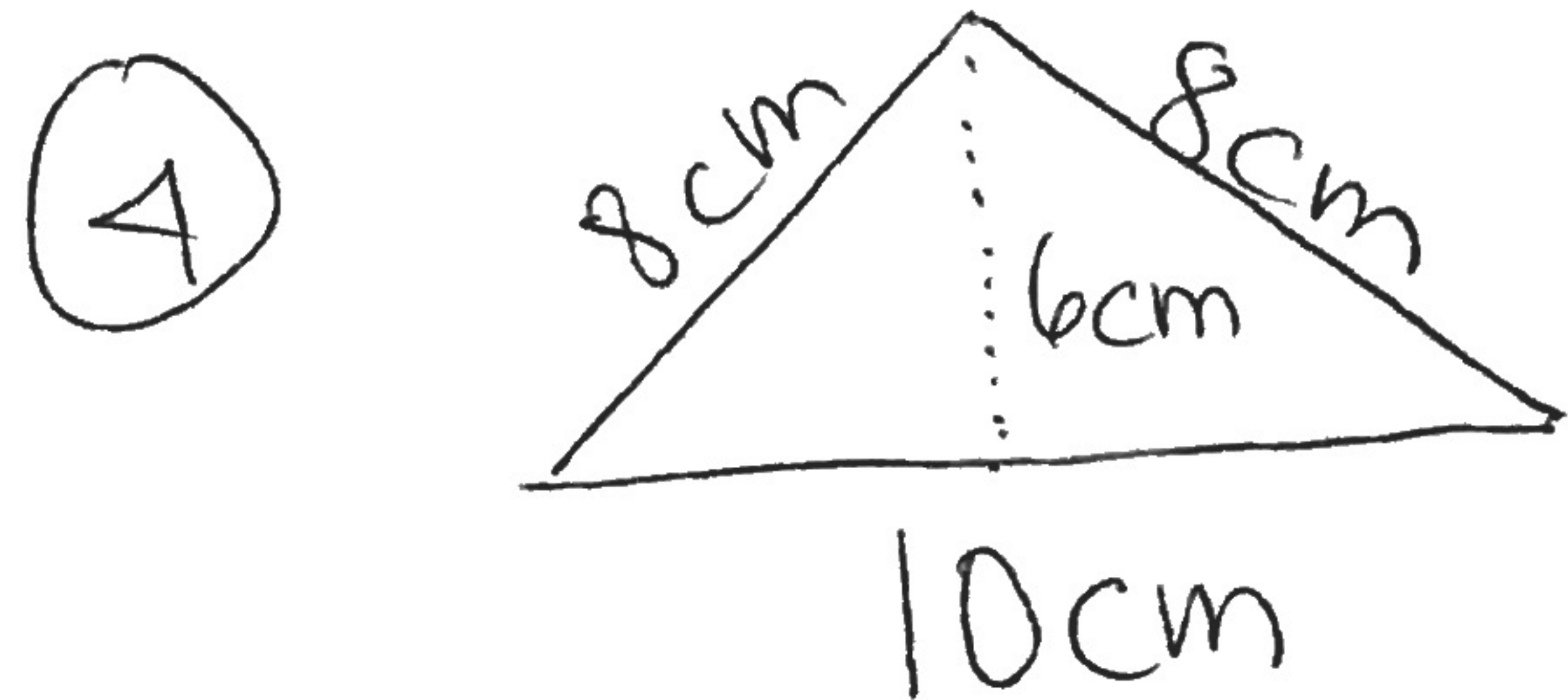
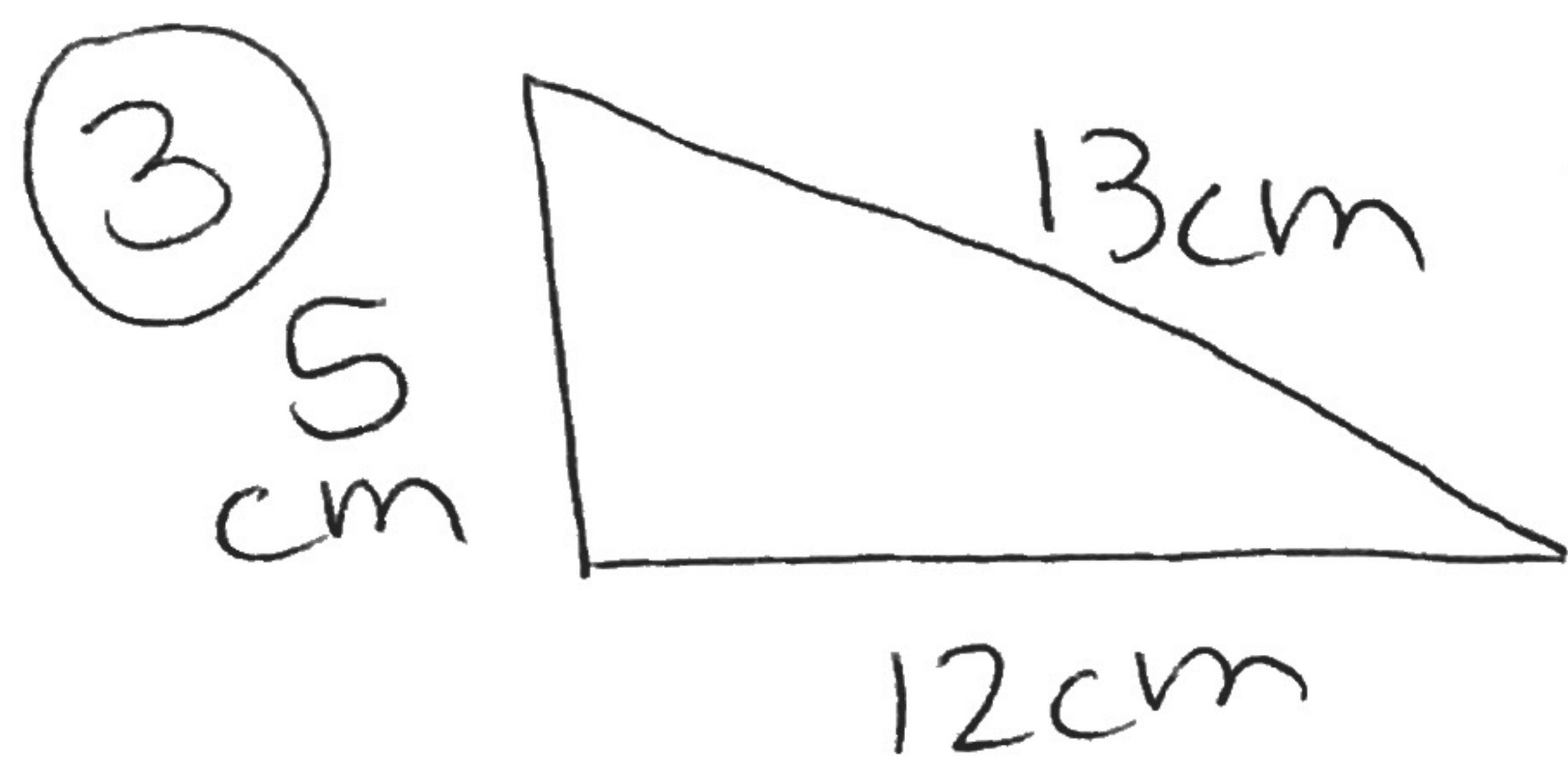
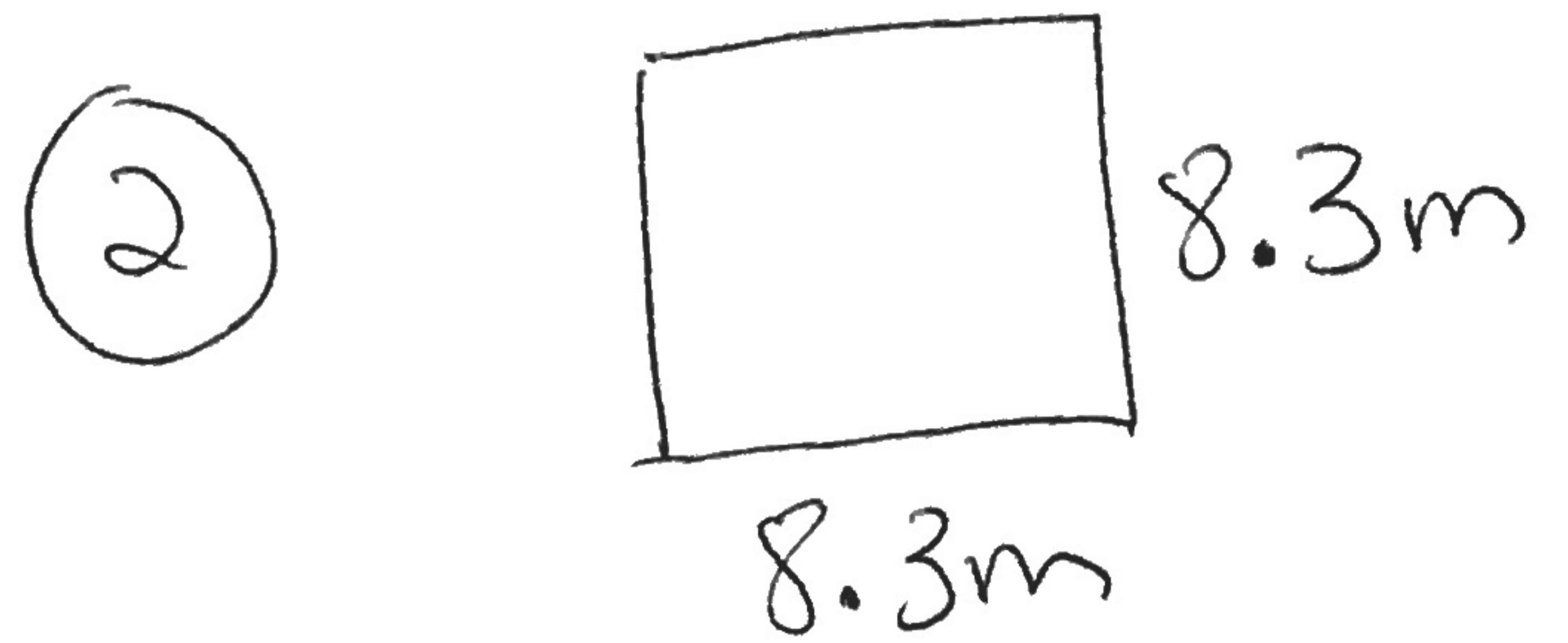
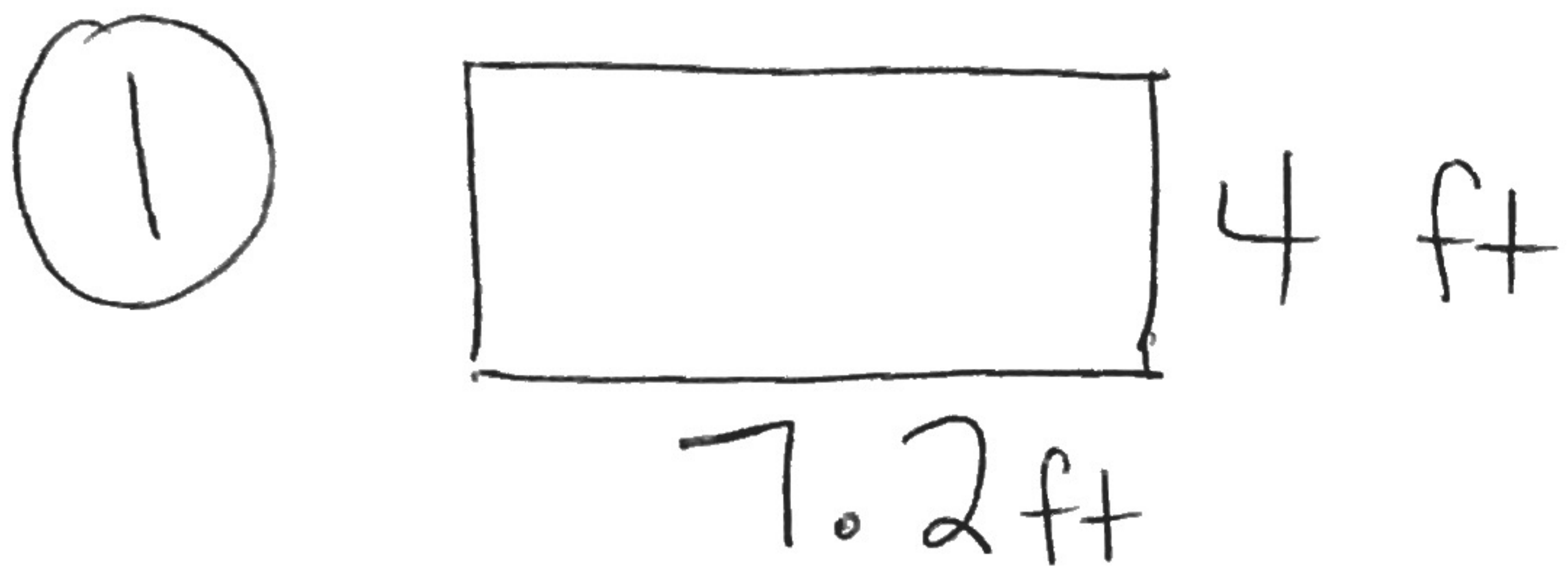
③ $6 \div 3 + 8(5)$

④ $\frac{2 + (-5)}{2 - (-4)}$

⑤ $-10 - 3 - (-1)$

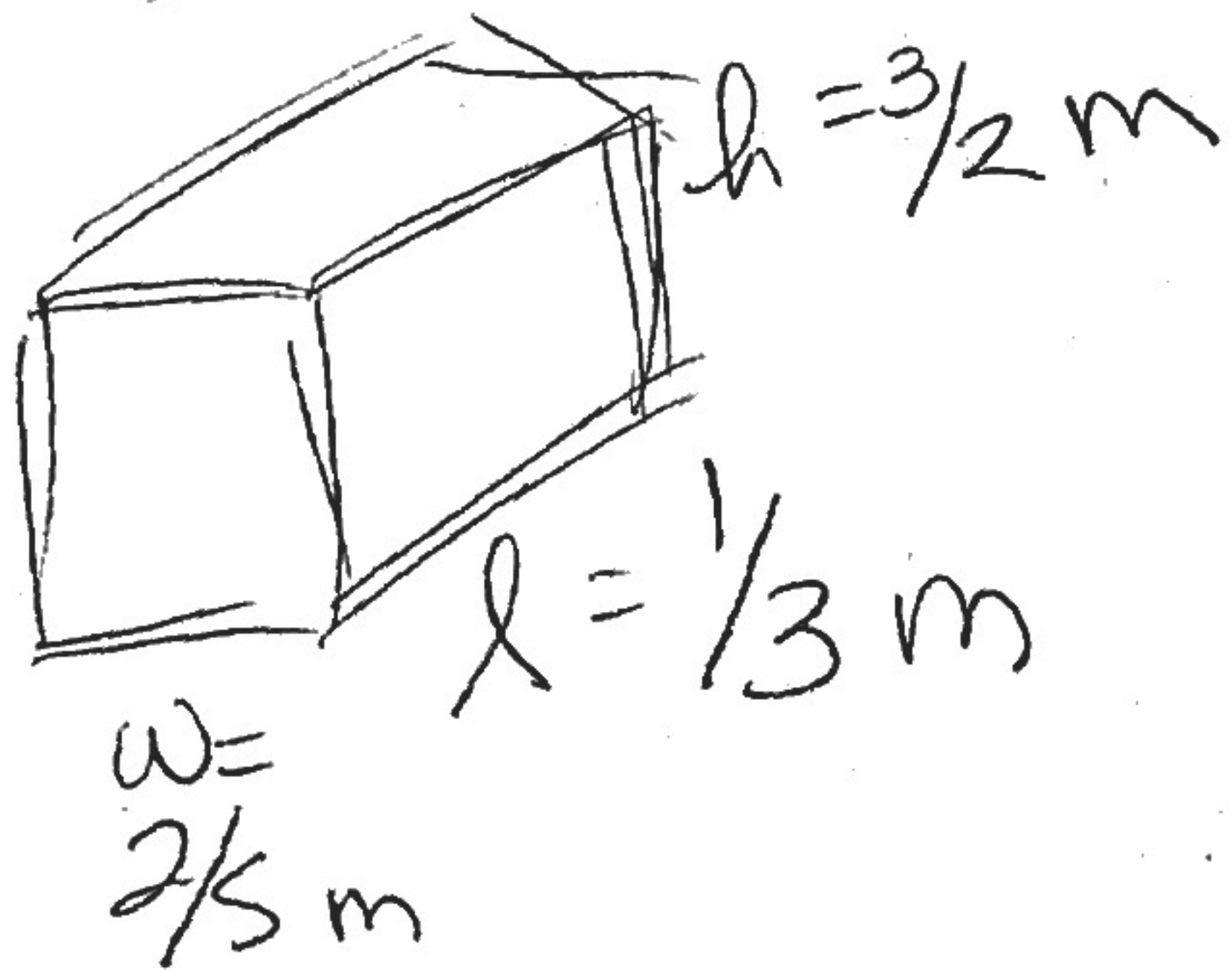
⑥ $|-6| + |7|$

Find the Area! Include UNITS!



Find the Volume of the rectangular Prisms!
Include UNITS*

①



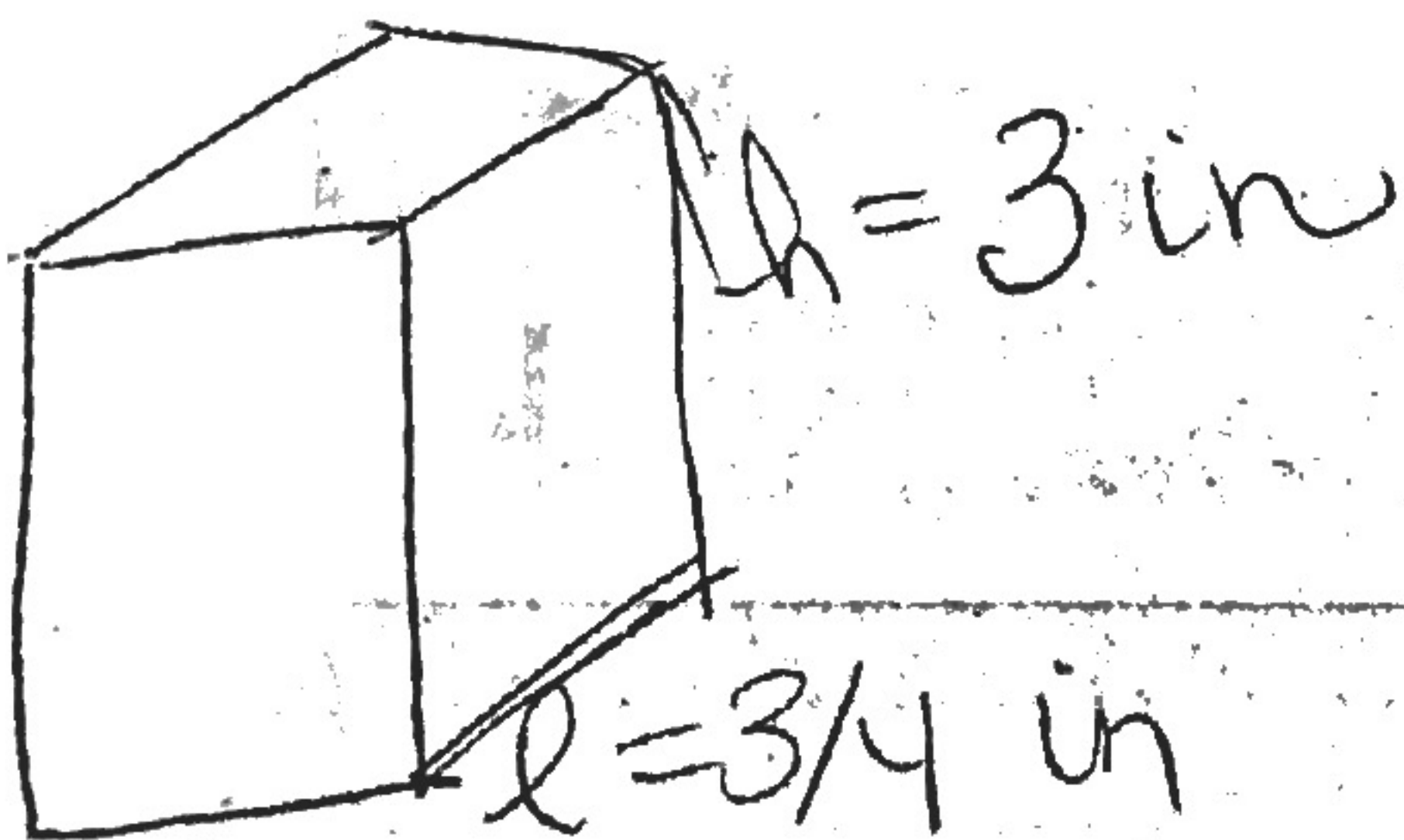
②

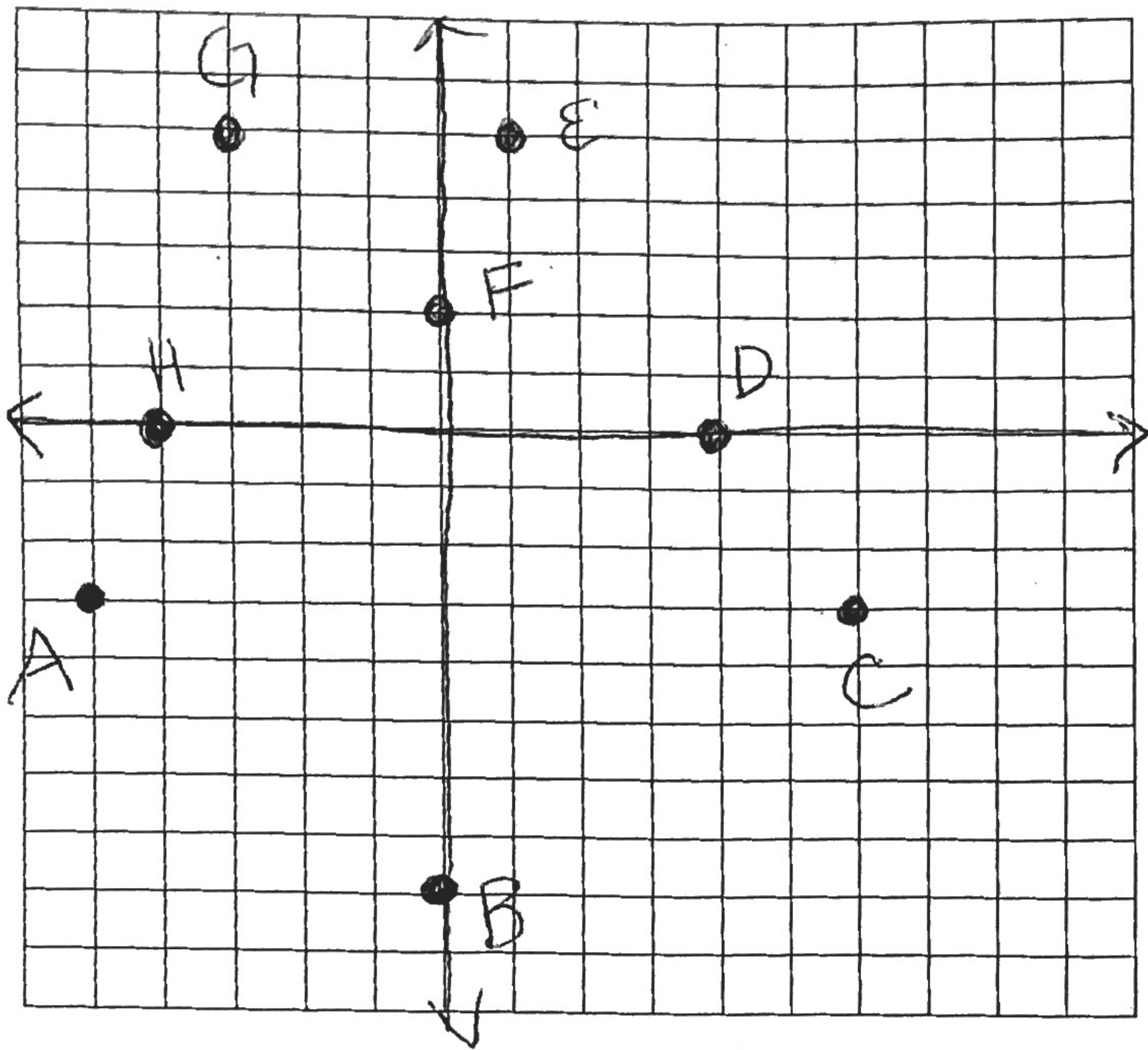
$$l = \frac{4}{3} \text{ ft}$$

$$w = \frac{1}{2} \text{ ft}$$

$$h = 2 \text{ ft}$$

③





Give the coordinate that matches each point.

A _____

B _____

C _____

D _____

E _____

F _____

G _____

H _____