

SPiRAL # 19

Name: _____
6th Grade

Evaluate!

① $13 \div 13 - 10^2$

② $|-3| - |5|$

③
$$\frac{-6 \div 3}{-1(-3)}$$

④ $-2 + 14 \div (-7) \cdot 3$

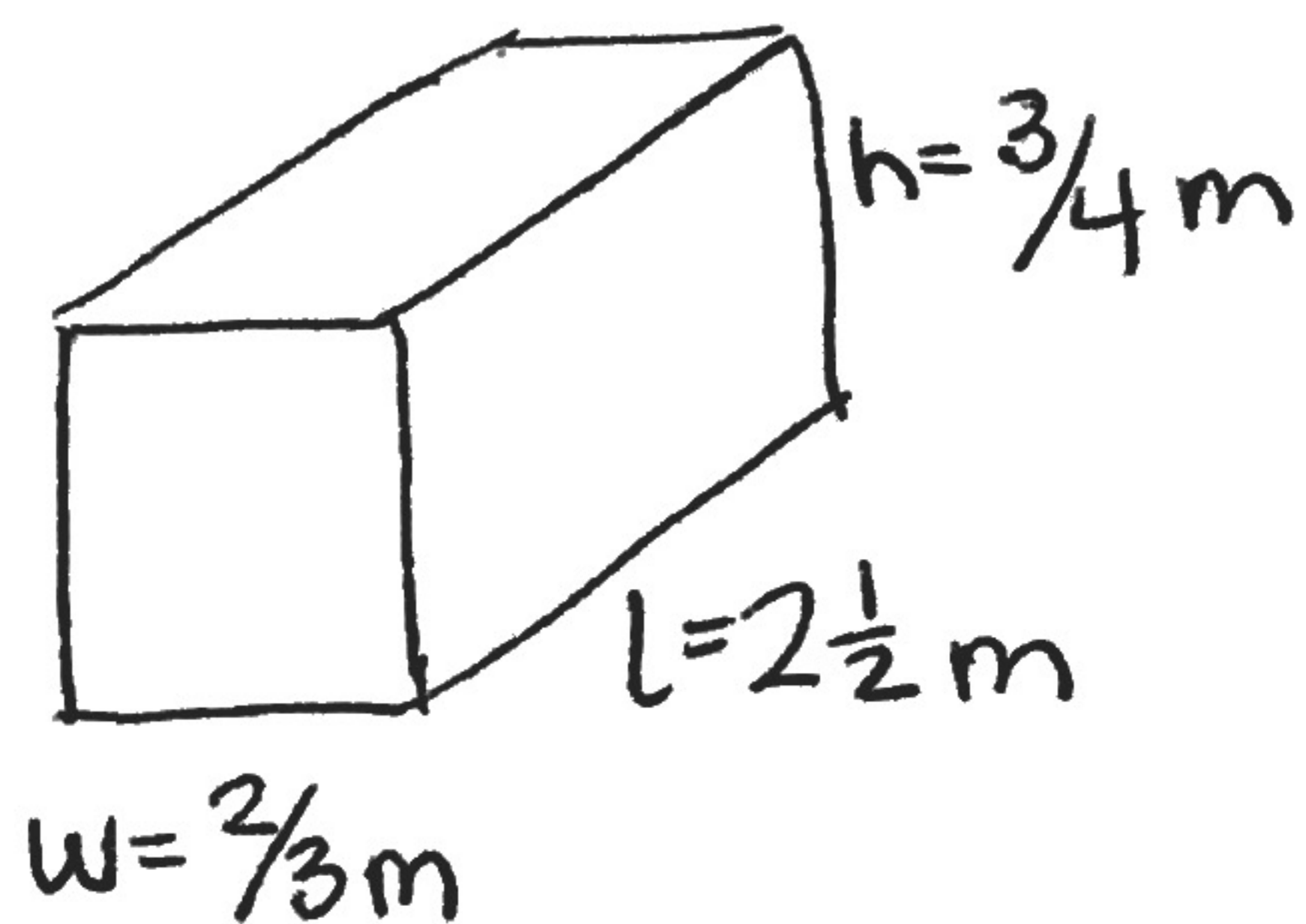
⑤ $6 - 42 \div 7 + 10$

⑥ $-3 - 4(2) - (-2)$

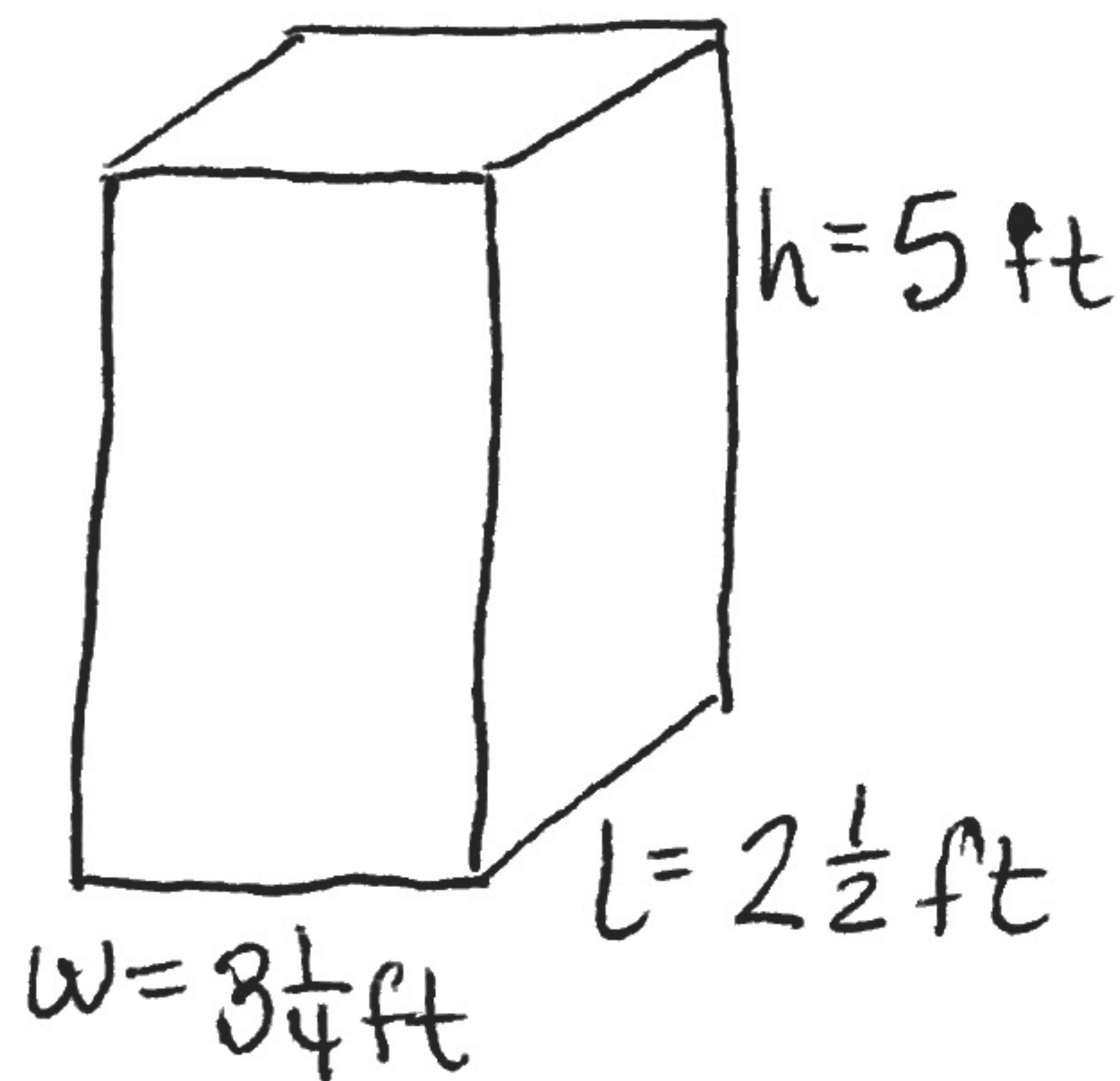
Find the volume of the rectangular prisms. Include correct units!

drawings not to scale

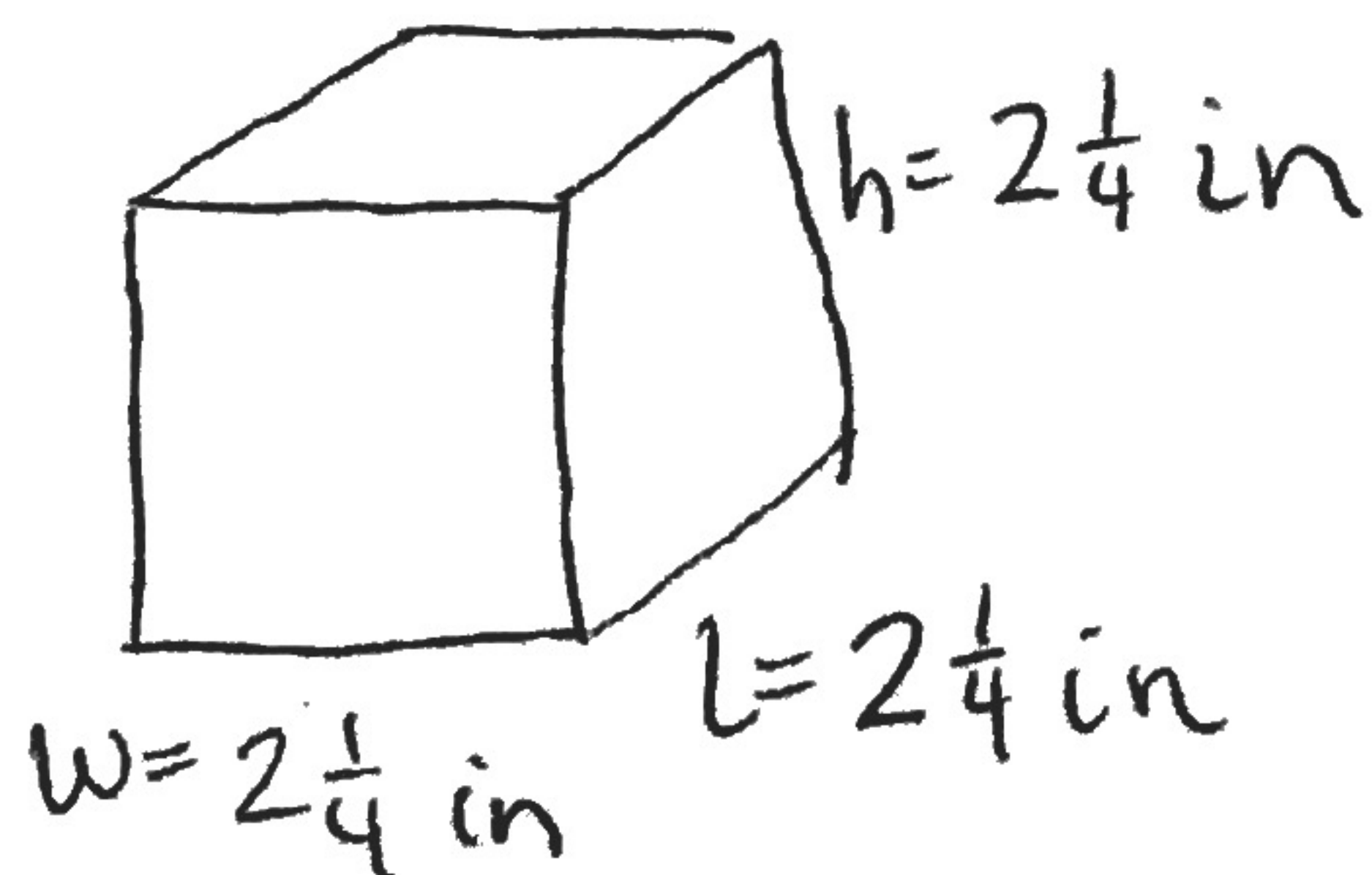
①



②



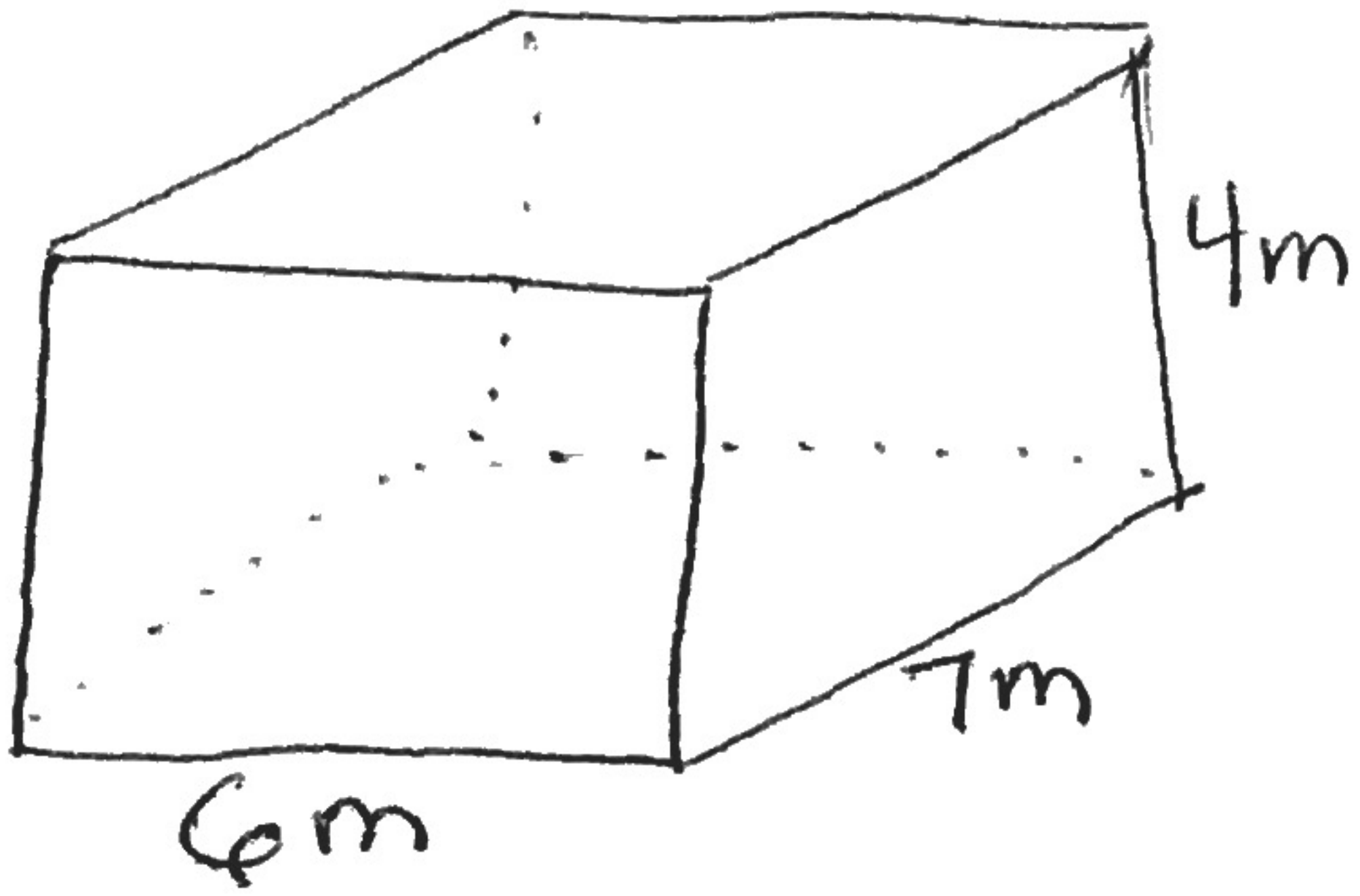
③



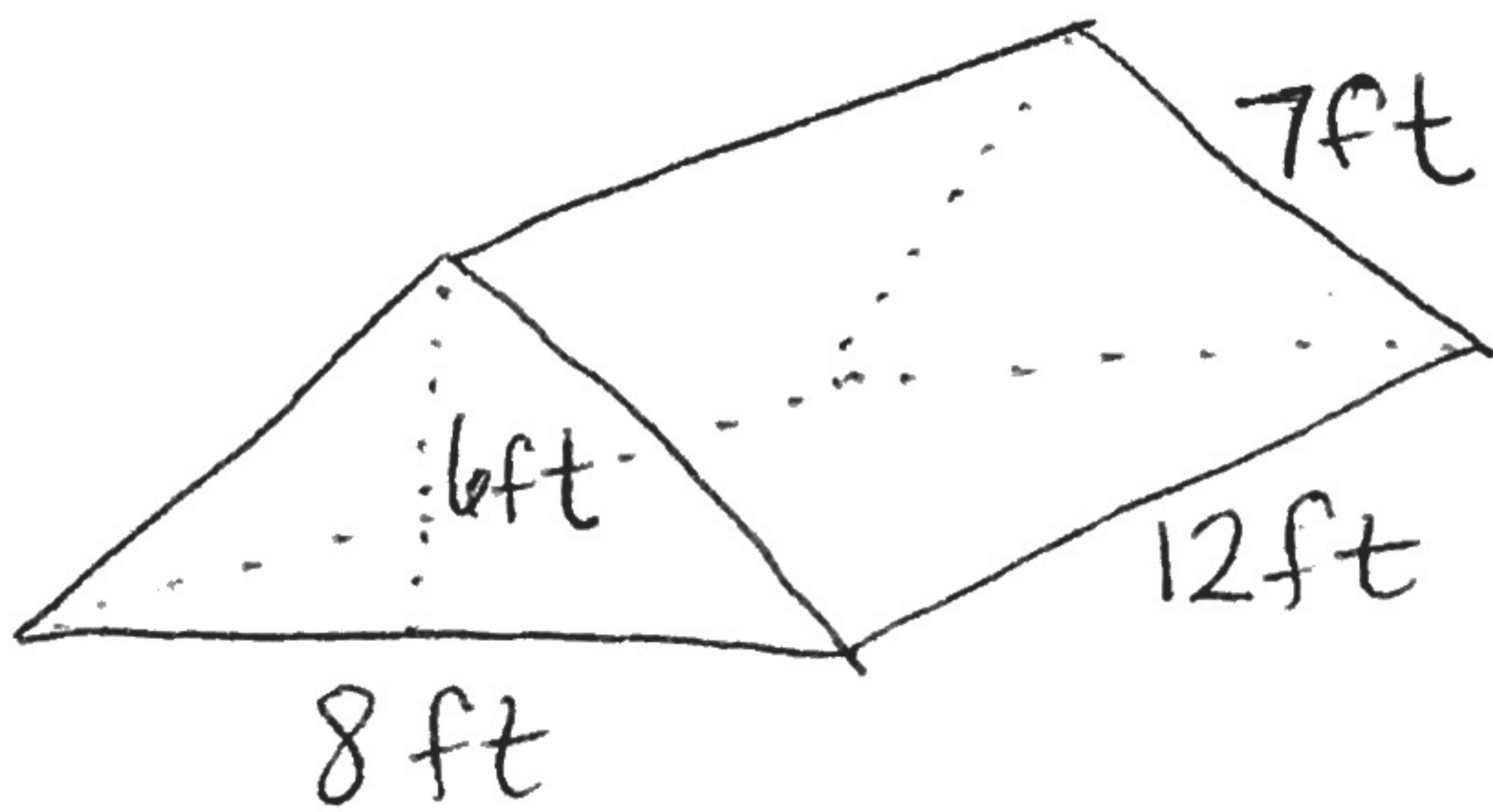
Find the surface area of the 3-D figures.
Include proper units.

* drawings not to scale *

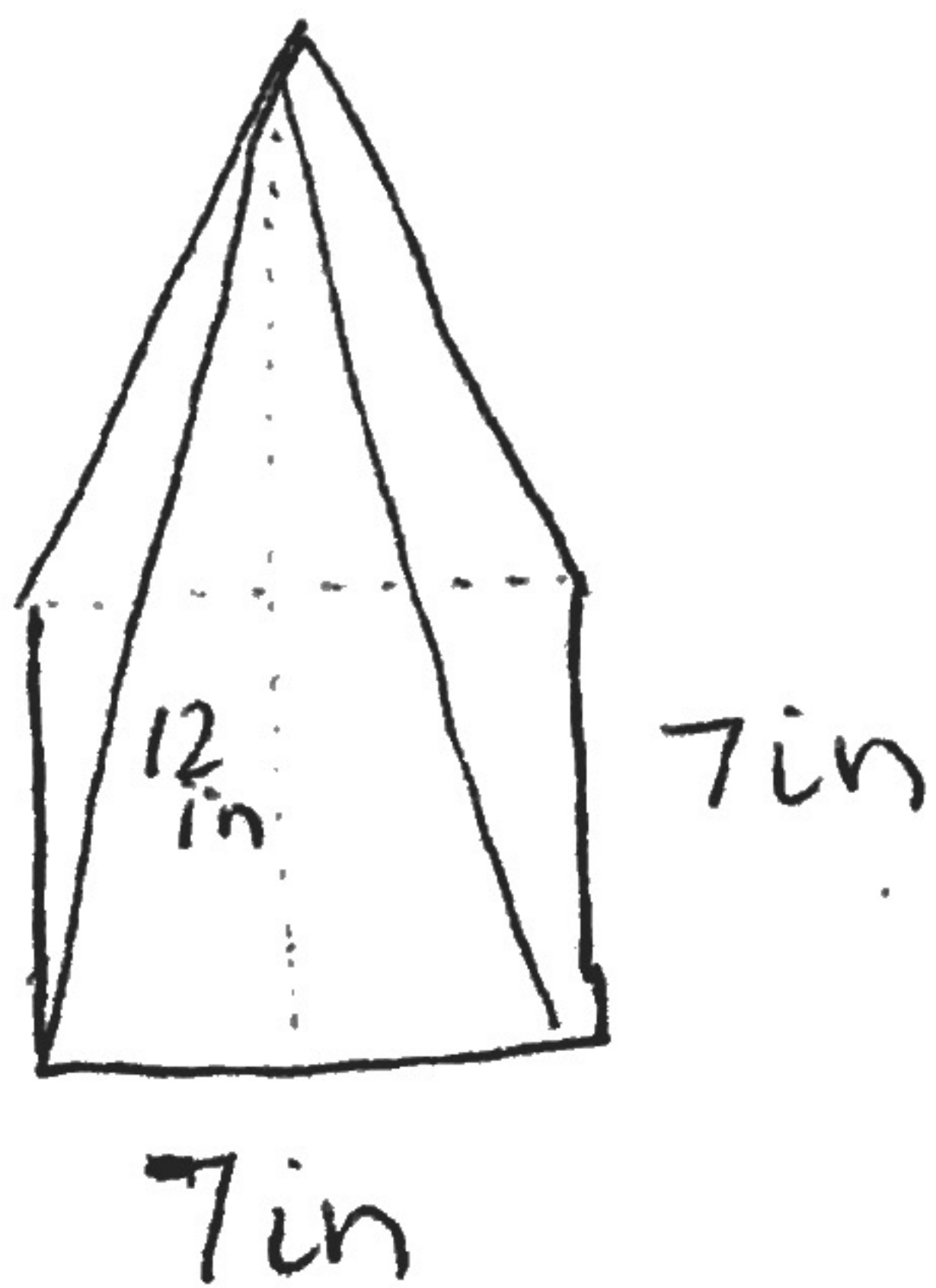
①



②



③



Evaluate. Show all work ♥

① $24.9 + 3.47$

② $342 + 6.45$

③ $50 - 13.76$

④ $11.57 - 9.78$

⑤ $32.4 (0.21)$

⑥ $3.4 (5.22)$

⑦ $0.064 \div 0.8$

⑧ $3.6 \div 24$