

# SPIRAL #19

NAME: \_\_\_\_\_

6<sup>th</sup> Grade

Evaluate. Show work.

①  $2 + 3(-4)$

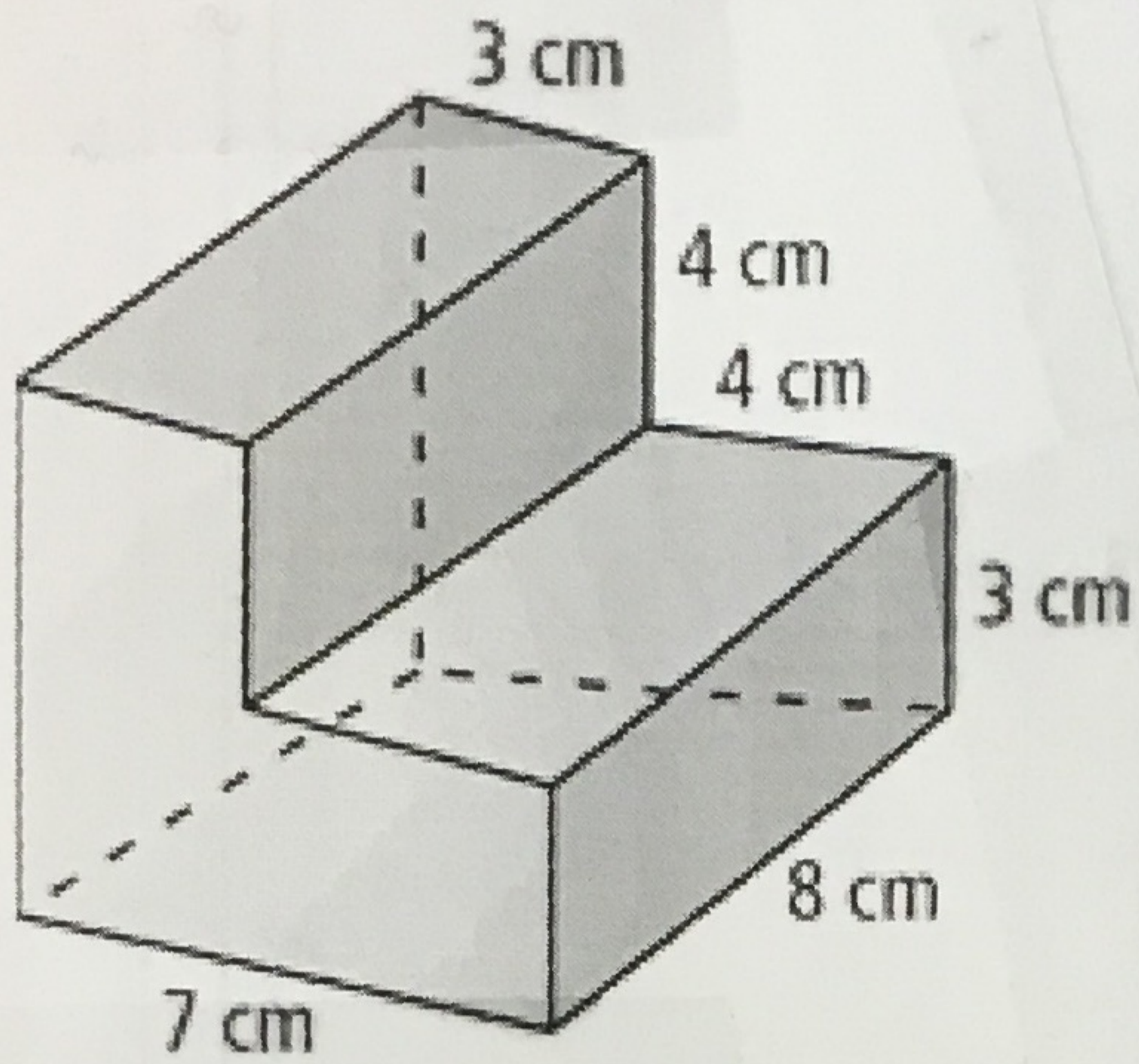
②  $6 - (5 - 3) + 8$

③  $-4(5 + (-1))$

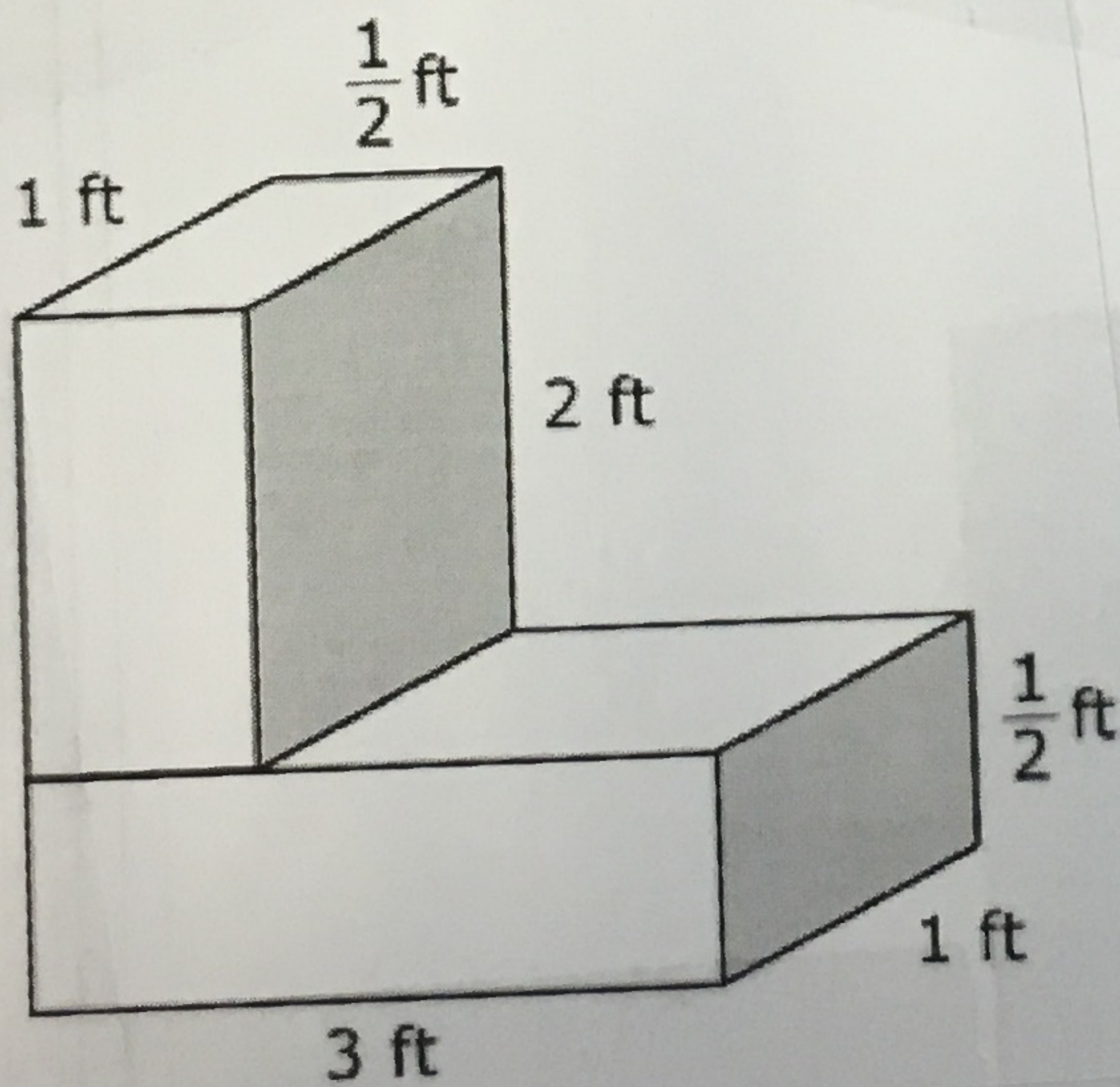
④  $9^2 + 3 \cdot (-5)$

Find the volume. Include Units.  
show work.

①



②



Evaluate. Show work!

$$\textcircled{1} \frac{2}{7} + \frac{3}{5}$$

$$\textcircled{2} \frac{8}{9} - \frac{4}{7}$$

$$\textcircled{3} \frac{2}{15} \left( \frac{10}{3} \right)$$

$$\textcircled{4} \frac{5}{6} \div \frac{5}{12}$$

Find the Percent of change. Show work!

① From 20 to 13.      ② From 50 to 60.

③ From 20 to 25.

④ From 80 to 44.