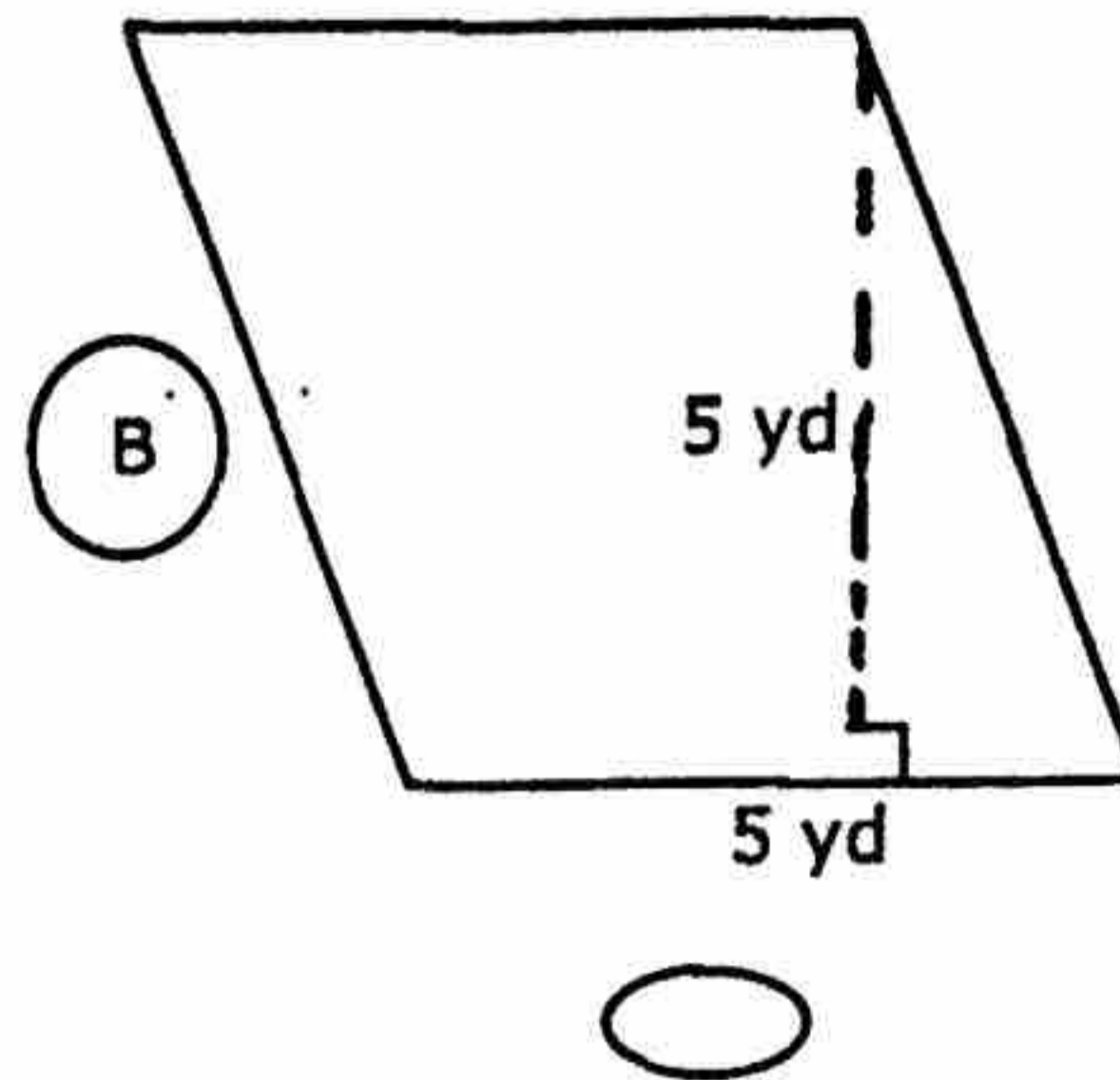
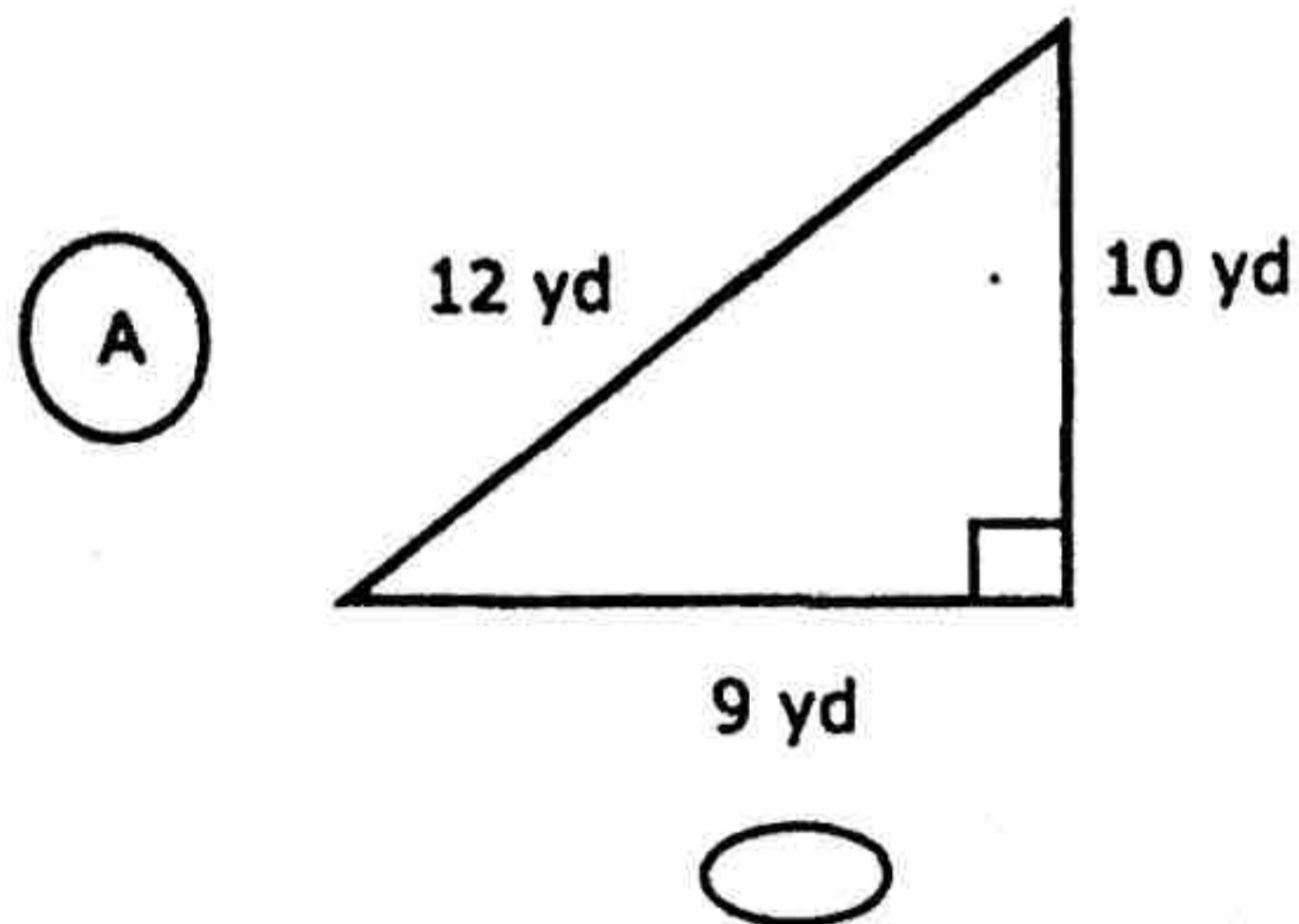


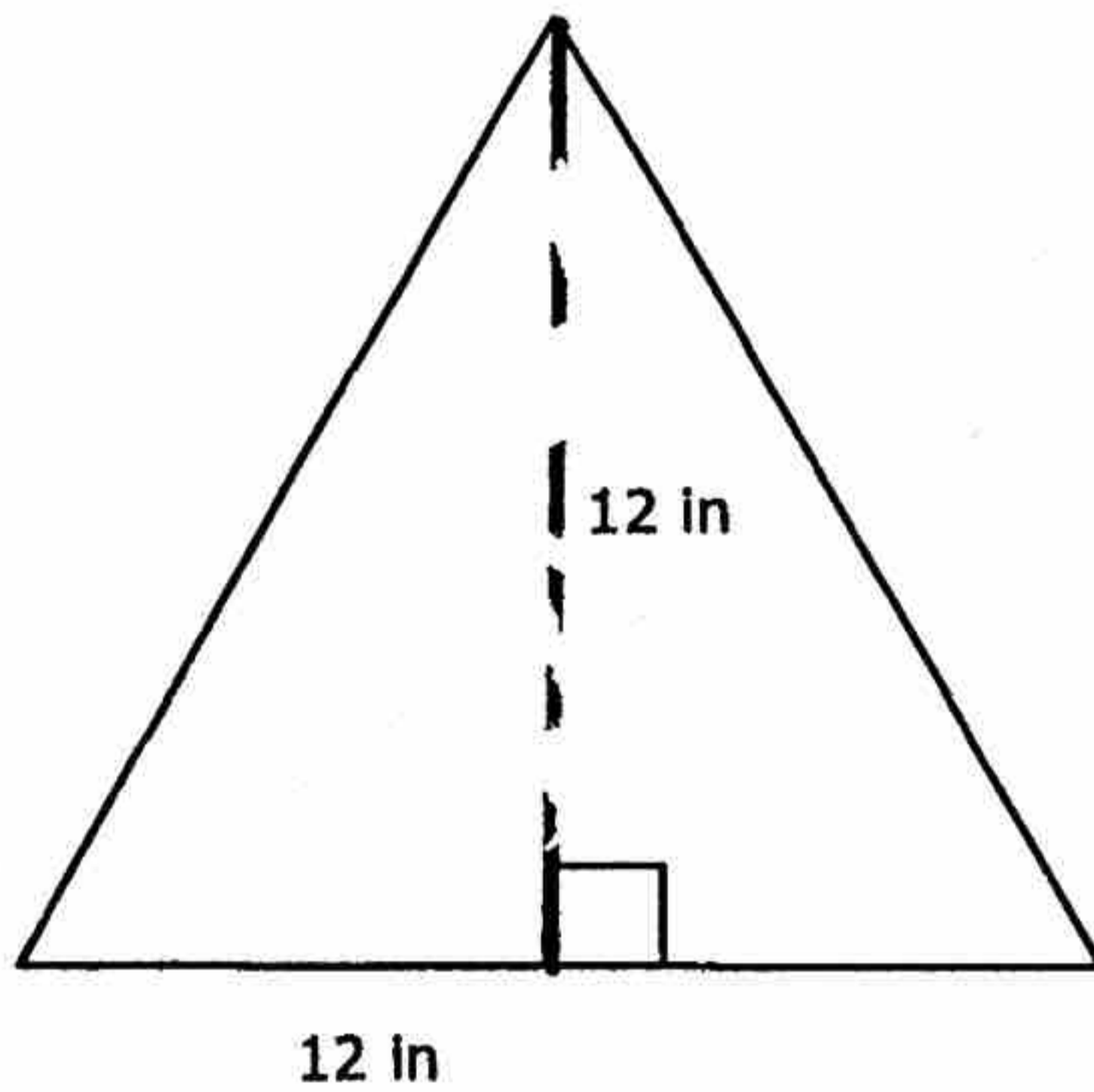
Finding the Area and Perimeter of Odd Shapes - Independent Practice Worksheet

Answer the following questions:

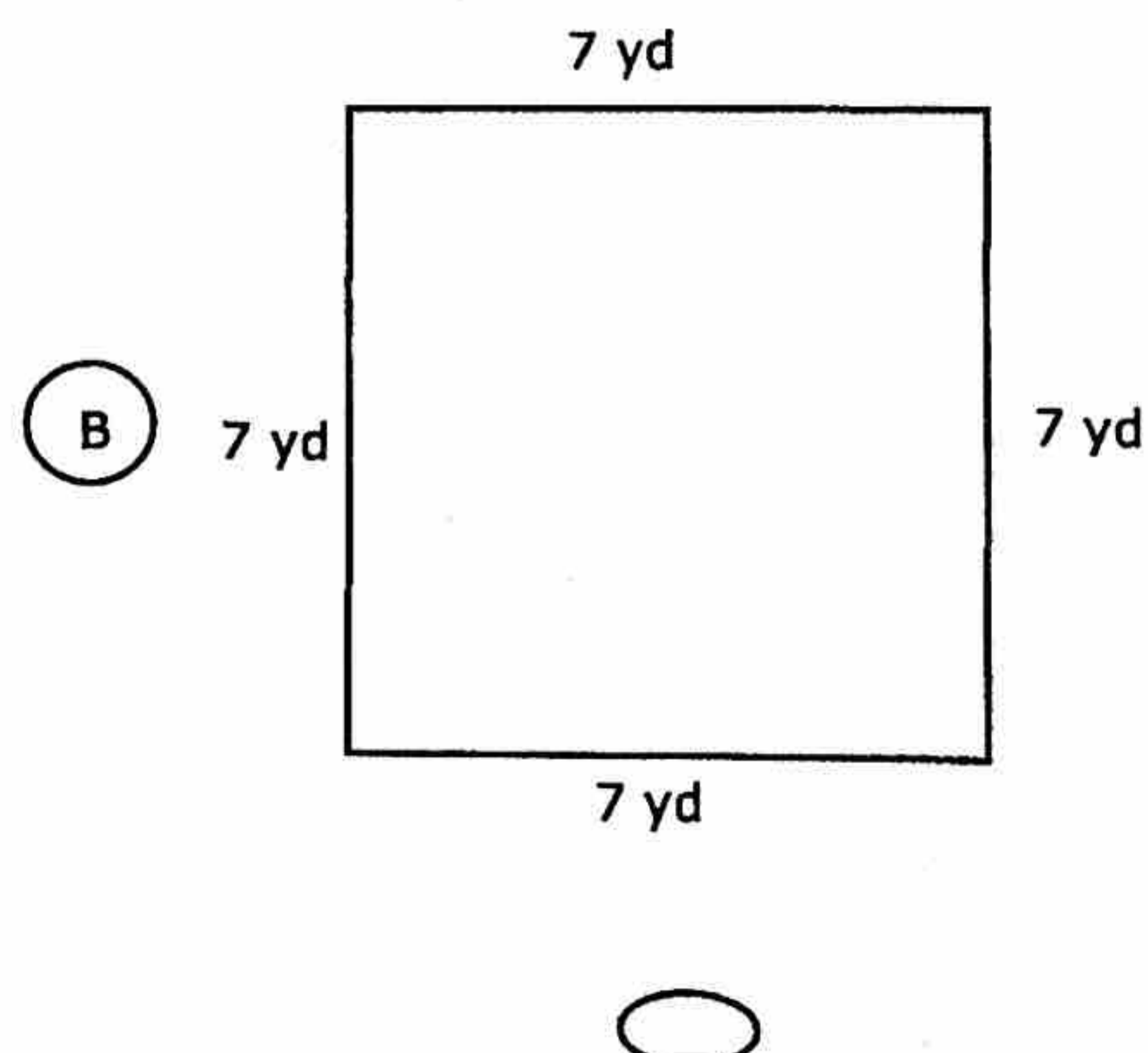
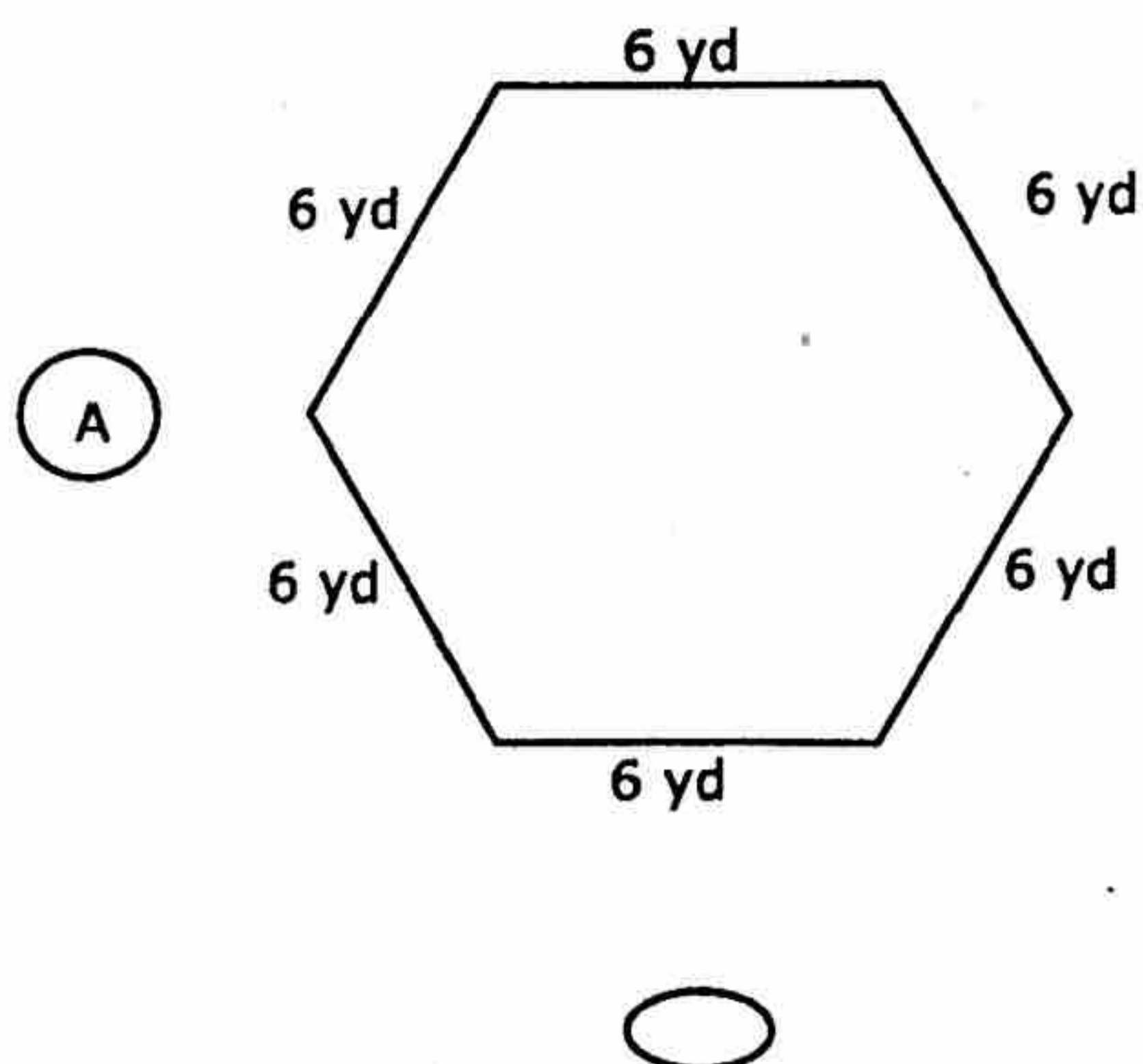
1. Which figure has a greater area? *Find both*



2. What is the area of this triangle?



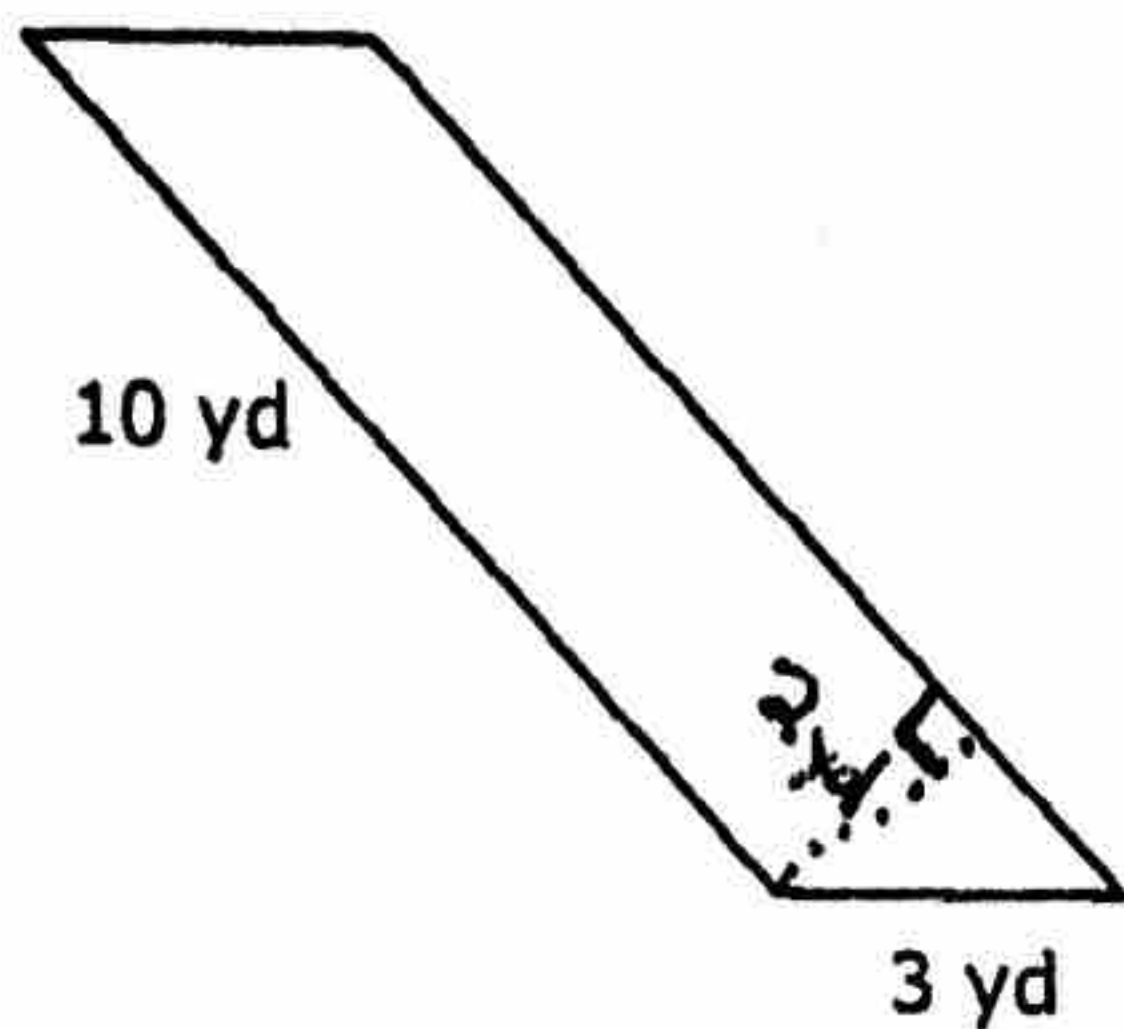
3. Which figure has a greater perimeter? *Find both*



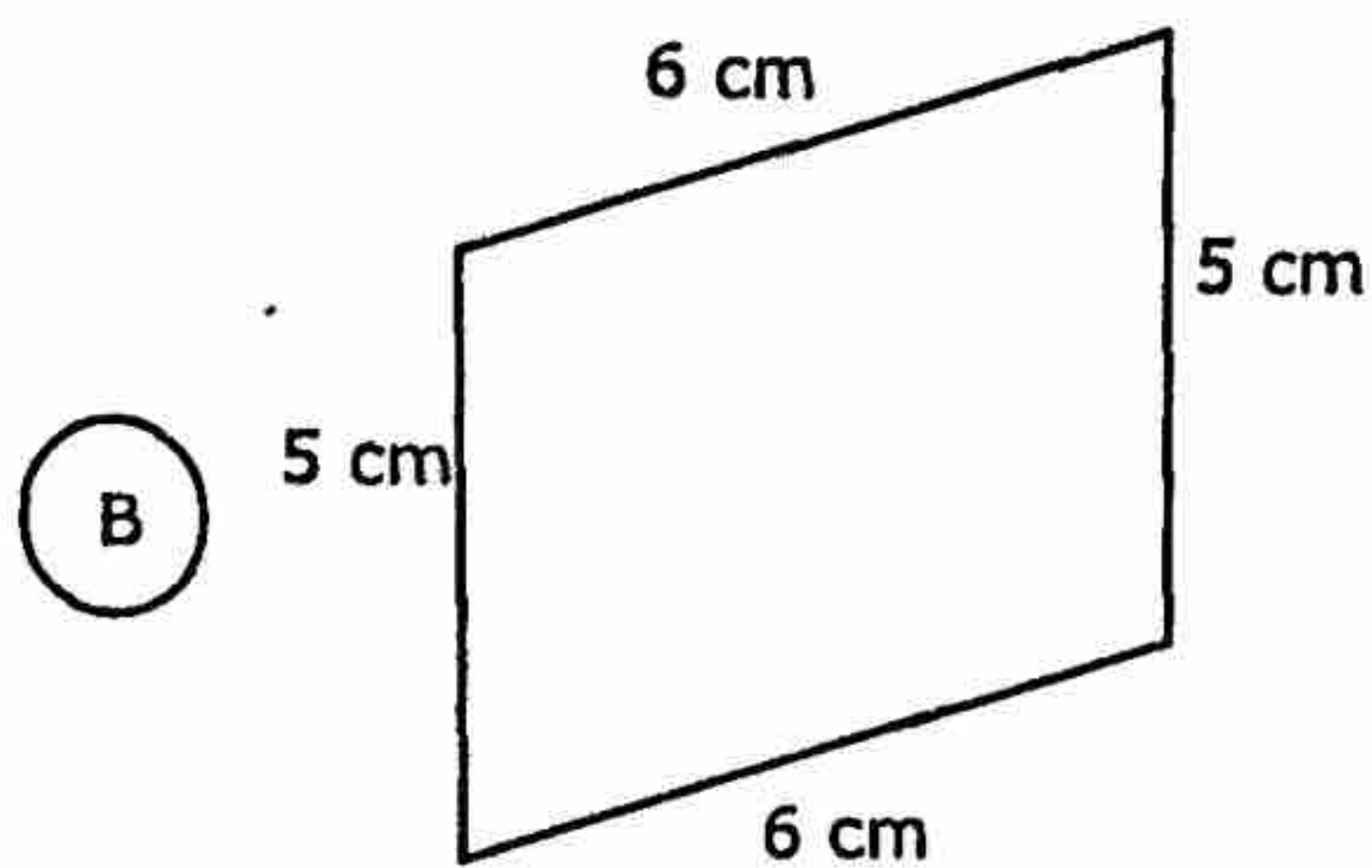
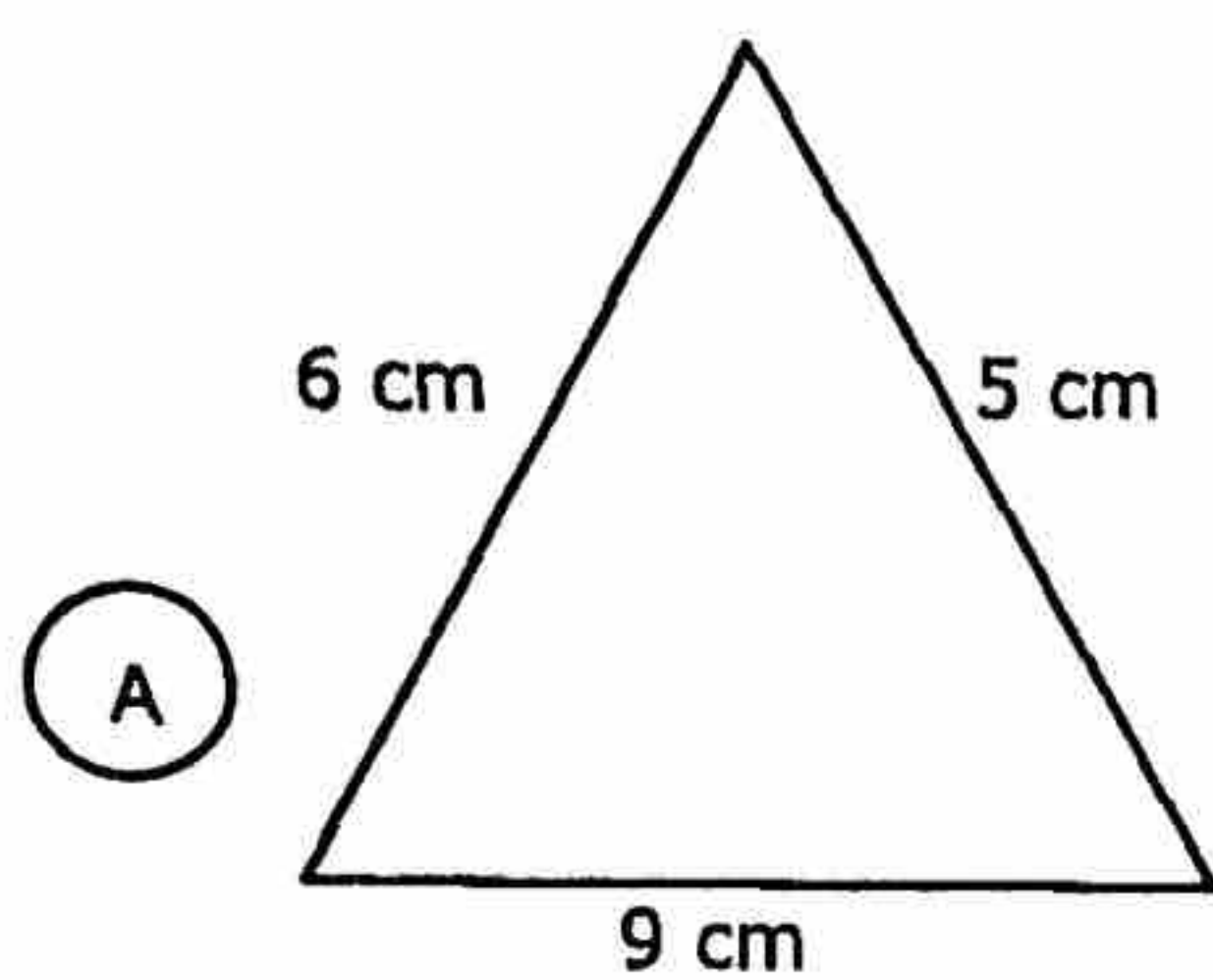
Name _____

Date _____

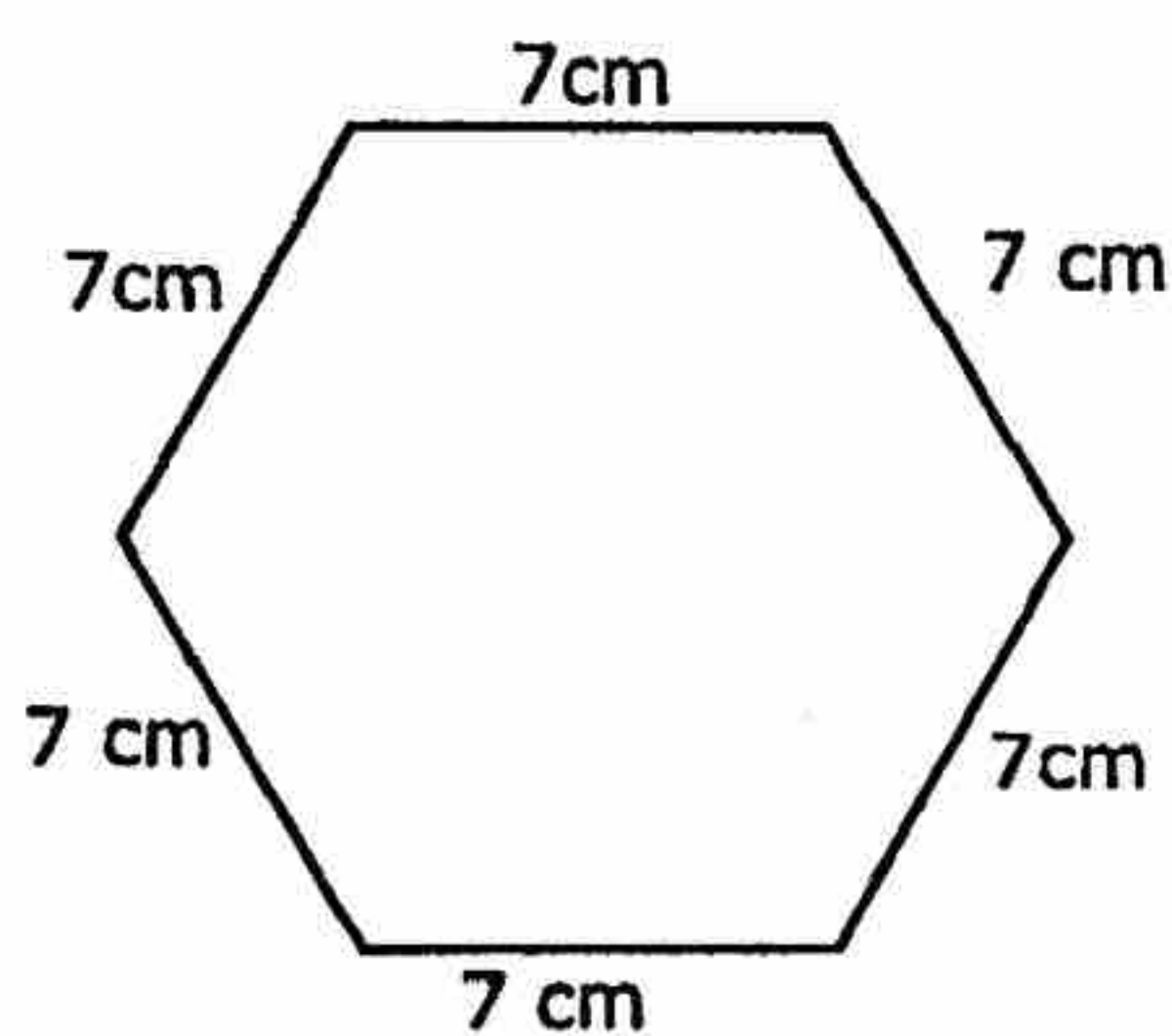
4. What is the area of this figure?



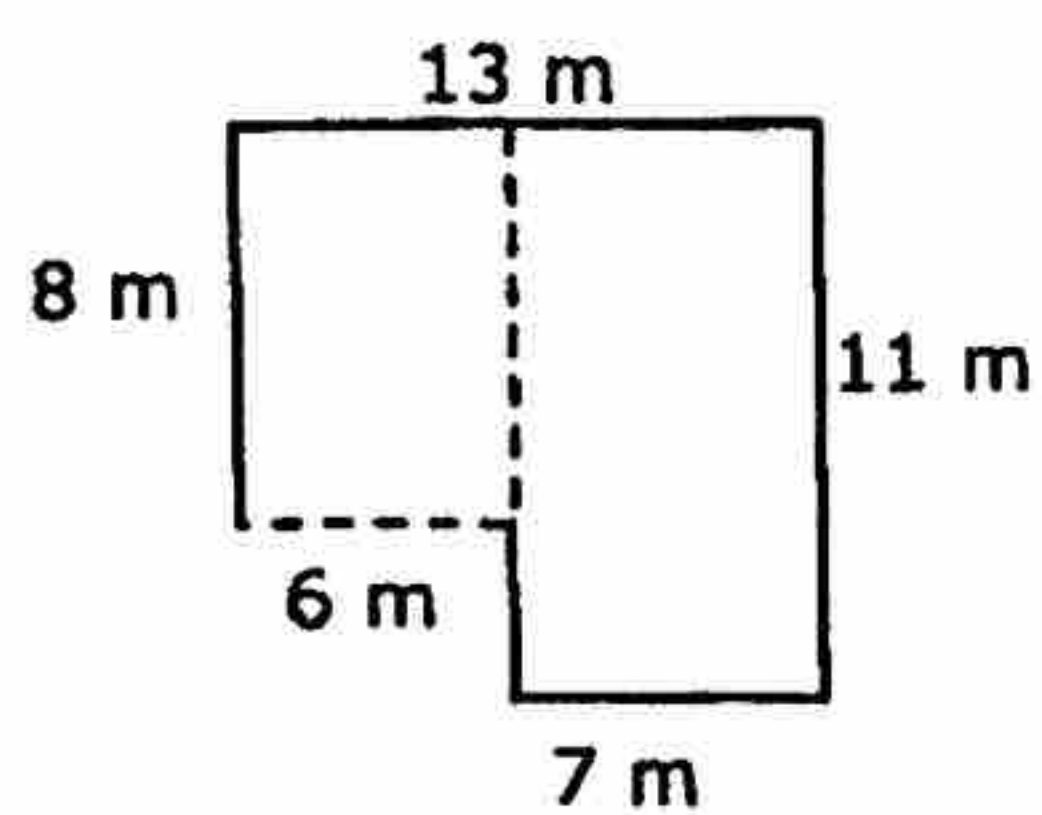
5. Which figure has a greater perimeter? Find both



6. What is the perimeter of this hexagon?

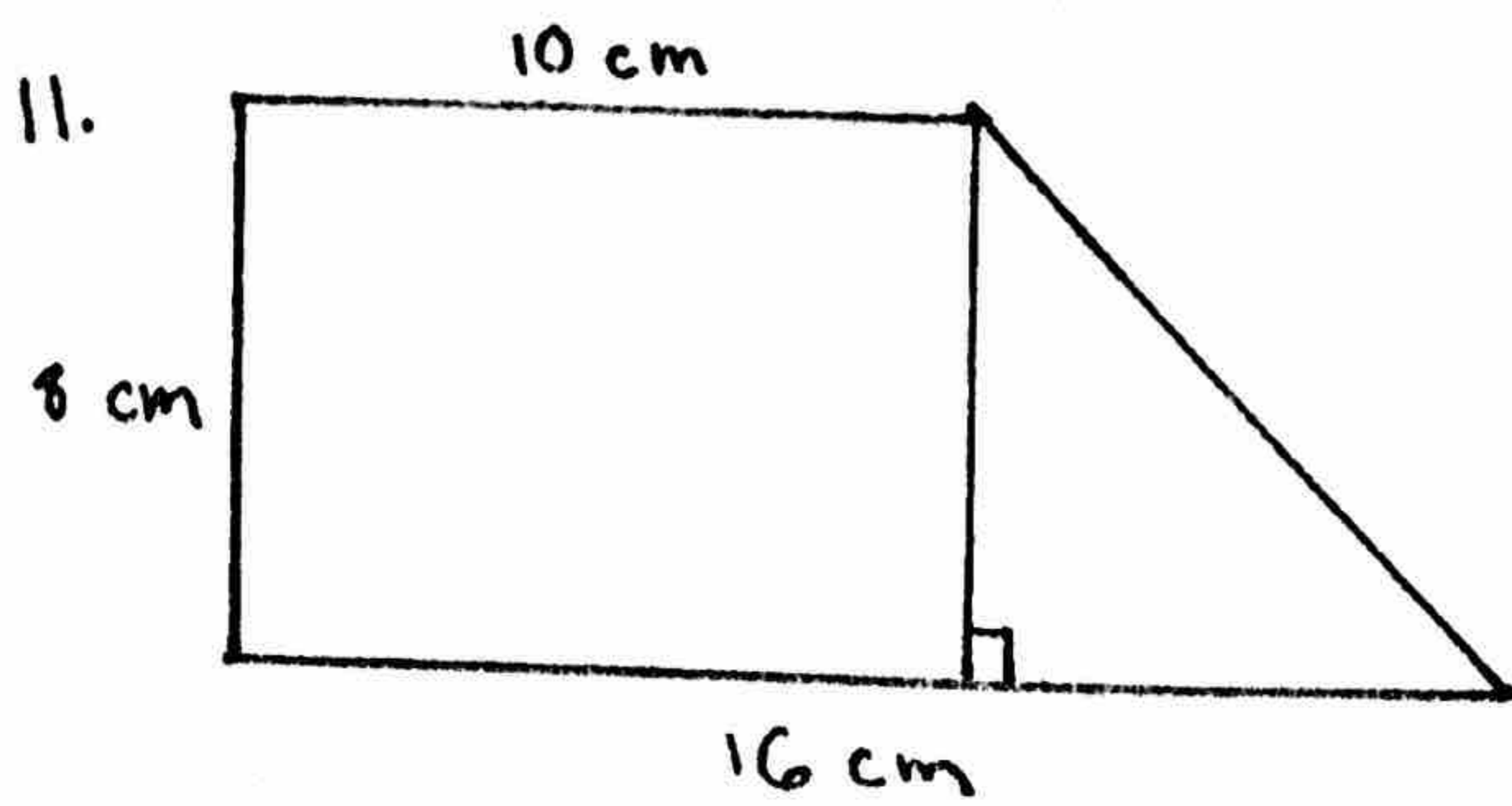


7. What is the area of this ^{compound} rectangle?

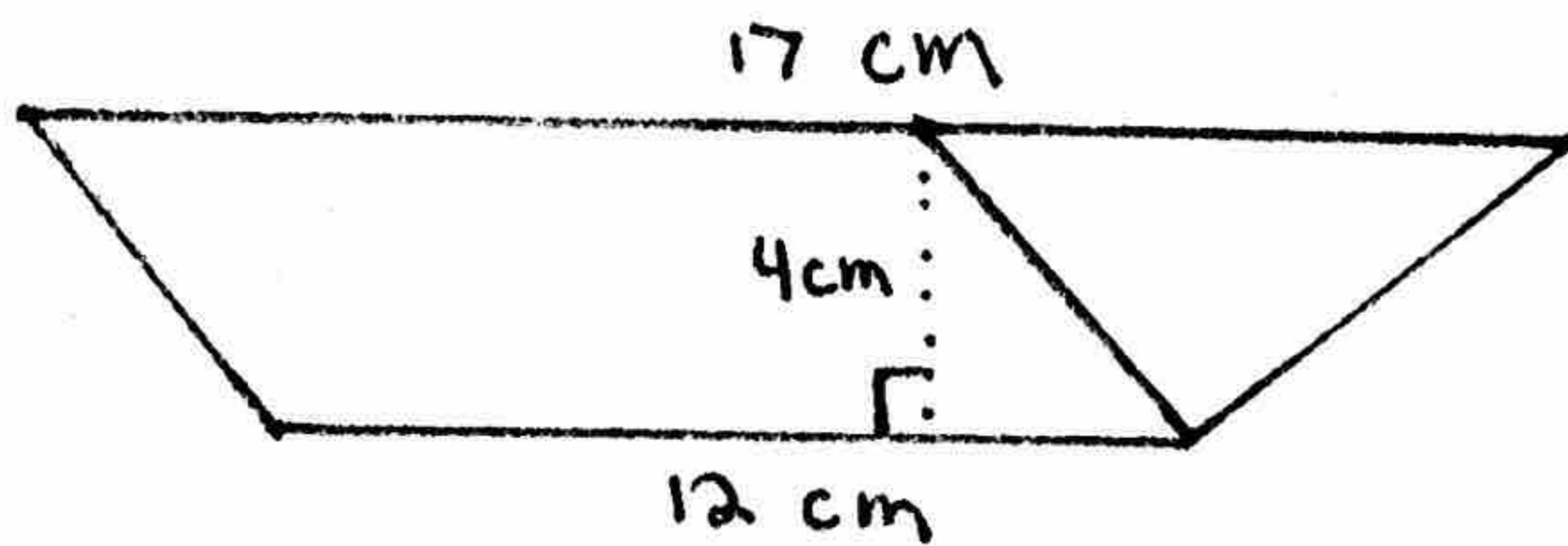




Find the total area of the figures.



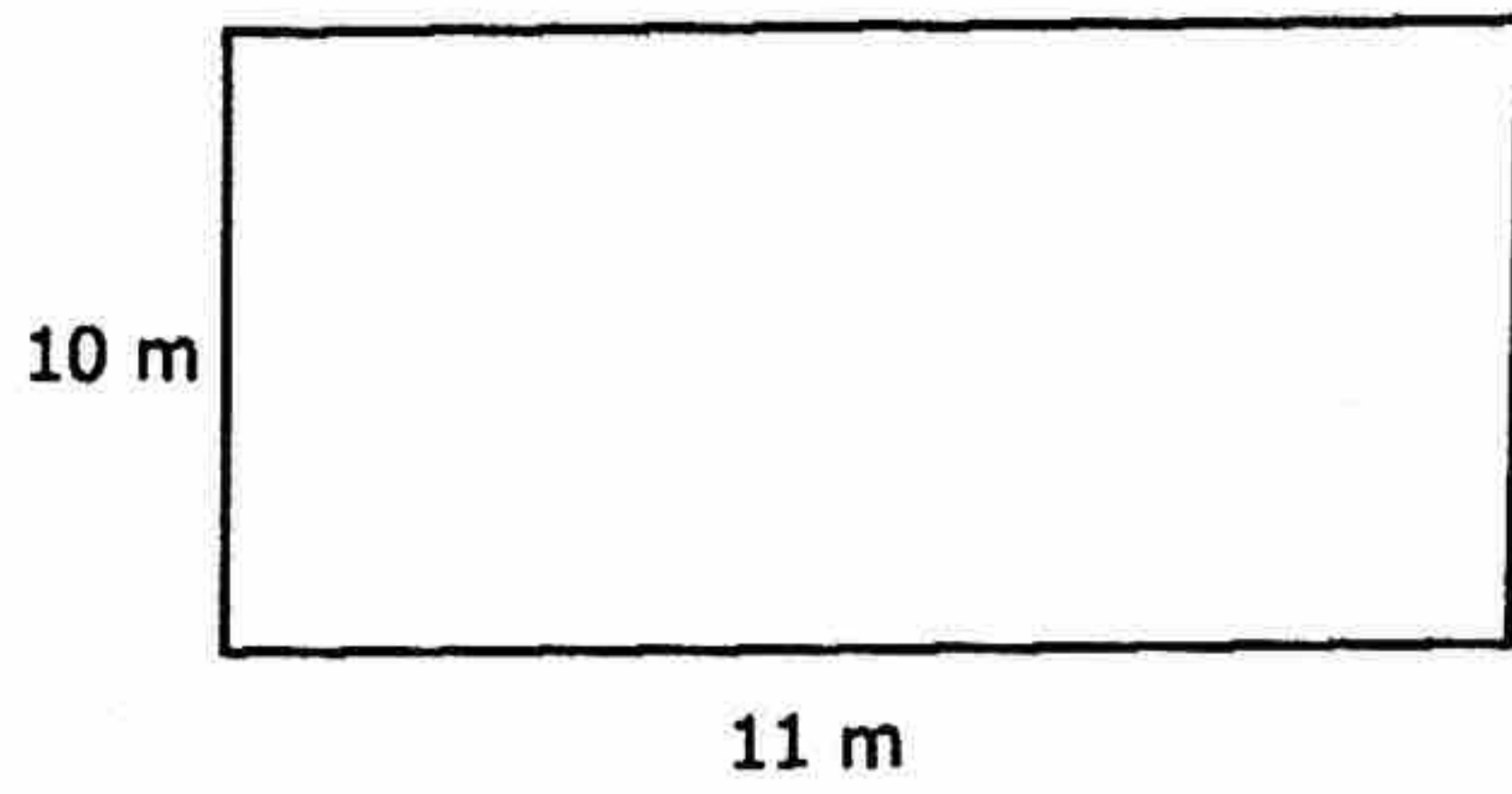
12.



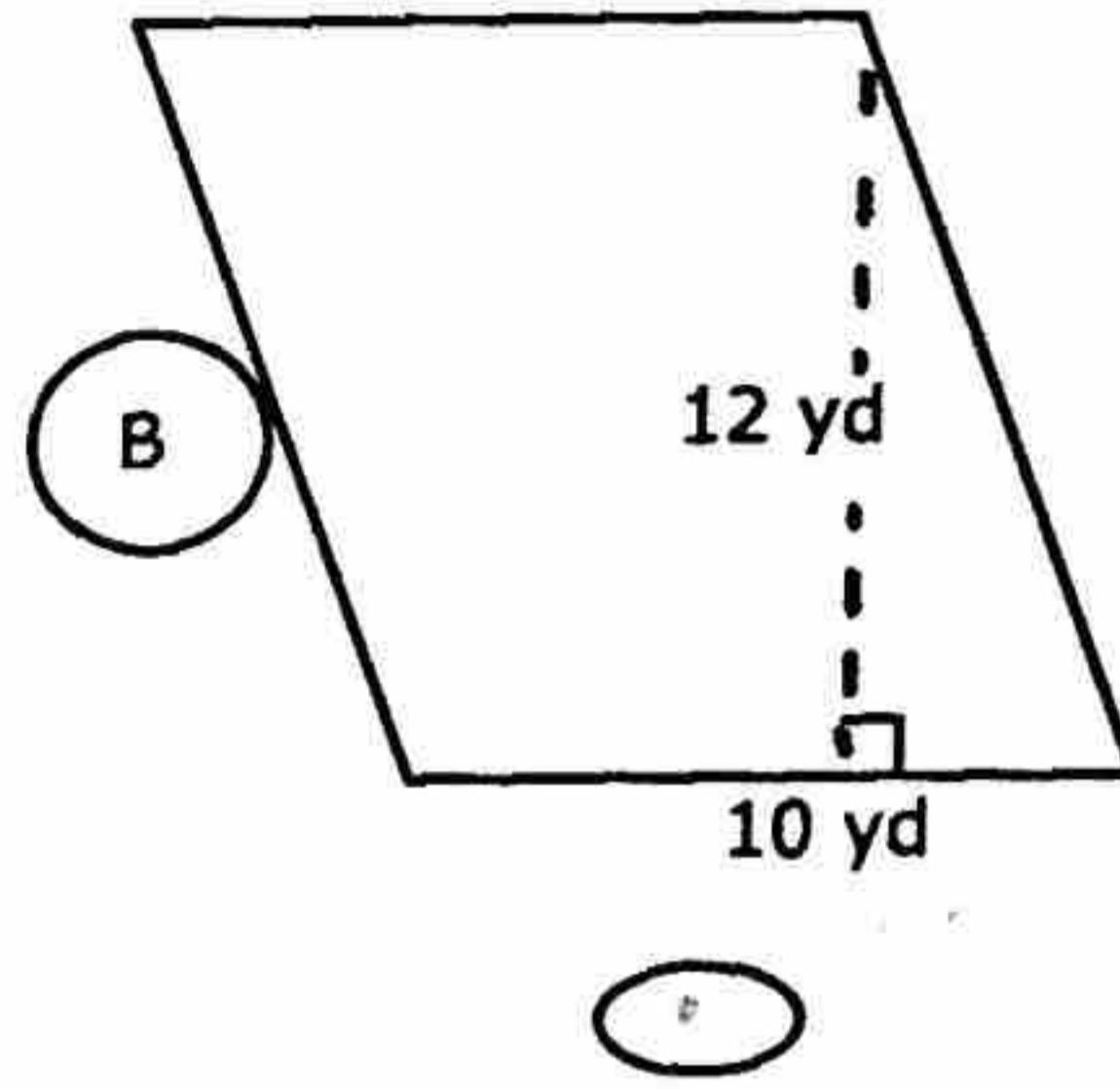
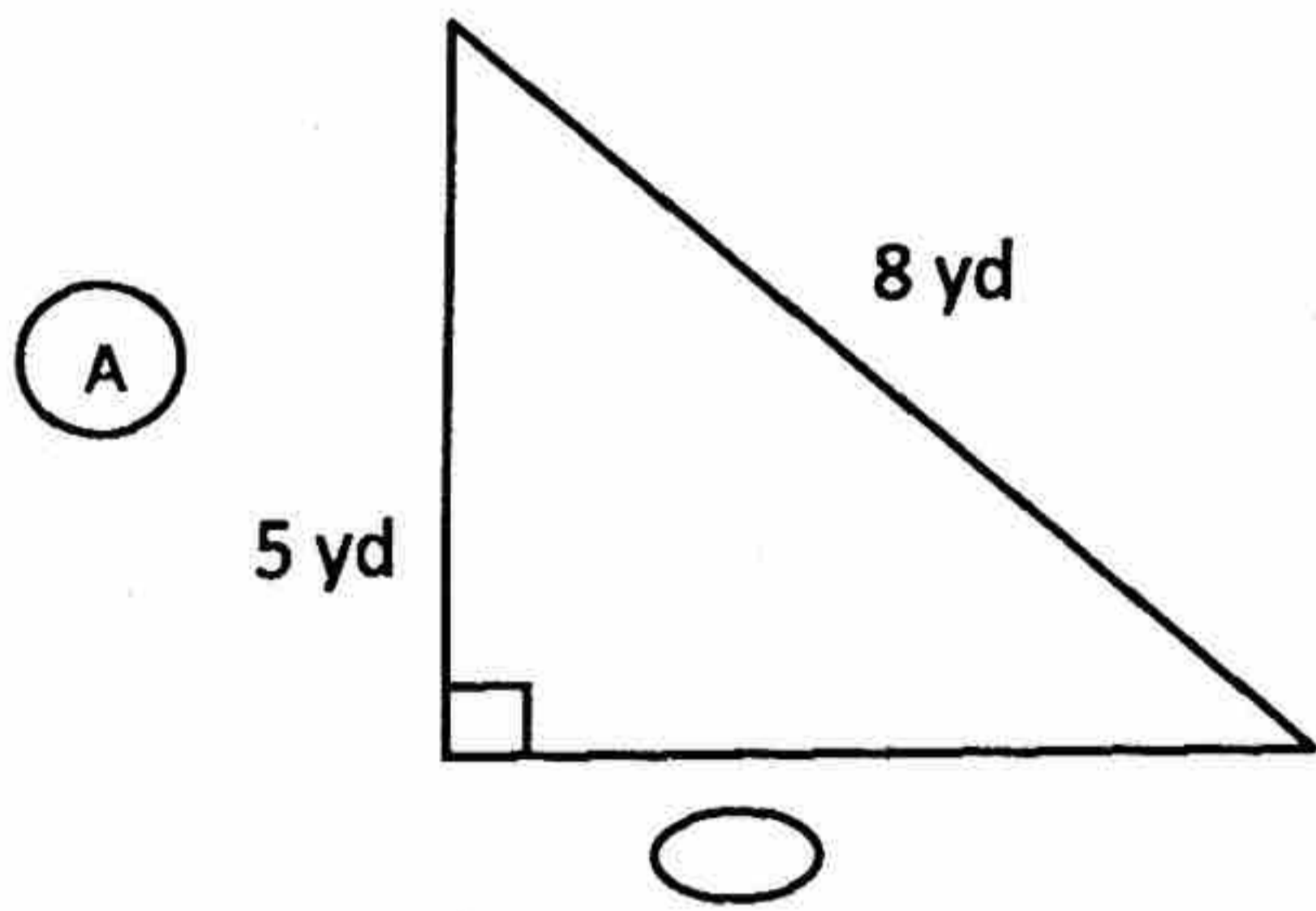
Name _____

Date _____

8. What is the perimeter of this rectangle?



9. Which figure has a greater area? *find both*



10. What is the perimeter of this figure?

